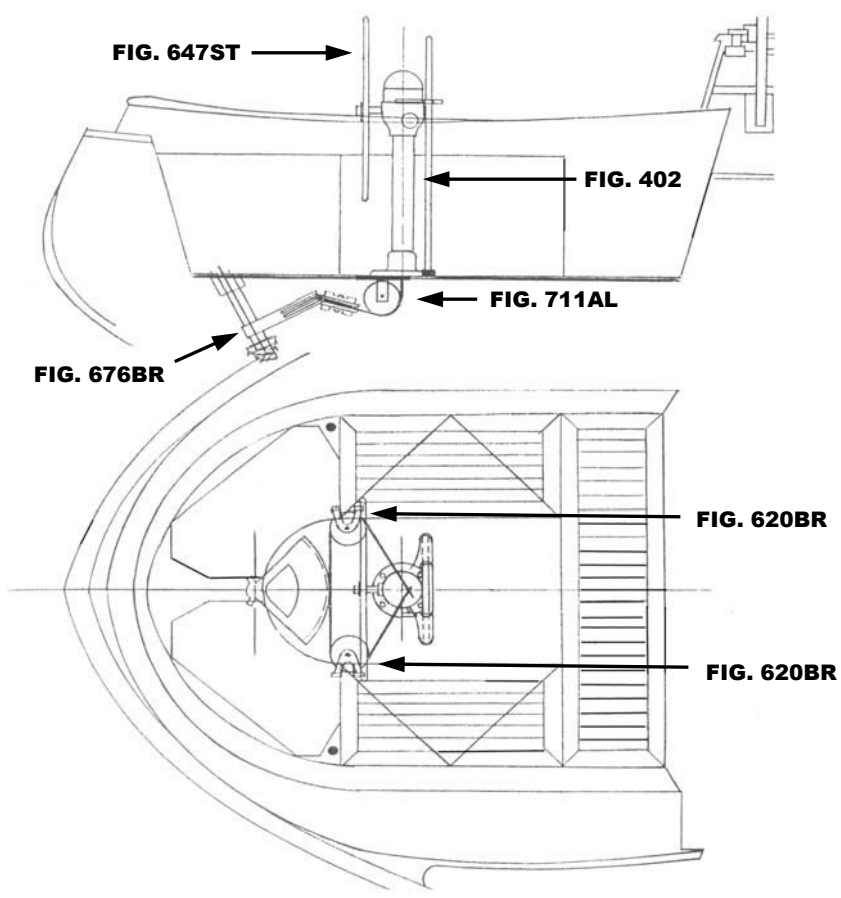


THIS SCHEMATIC IS INTENDED TO PROVIDE AN OUTLINE FOR DESIGNING YOUR SYSTEM. COMPLETE INSTRUCTIONS FOR INSTALLATION CAN BE FOUND IN OUR "PLANNING & INSTALLATION GUIDE", WHICH CAN BE FOUND ON OUR WEBSITE.

**VISIT US ONLINE AT
WWW.EDSONMARINE.COM**



STEERING COMPONENTS:

- | | |
|--------------------------|---|
| 1 FIG. 402-6-211T | DELUXE CLASSIC PEDESTAL W/BRAKE-TAPERED |
| 1 FIG. 647ST-30-5 | DISHED DESTROYER WHEEL |
| 1 FIG. 77201 | CHAIN & WIRE ROPE KIT W/HARDWARE [was 774-2B2D9] |
| | (2FT #50 CHAIN, 9FT 1/4" 7X19 305 SS WIRE ROPE) |
| 1 FIG. 711AL-6AL | ADJUSTABLE IDLER |
| 2 FIG. 620BR-6AL | UPRIGHT SINGLE SHEAVE ASSEMBLY |
| 1 FIG. 676BR-12 | MANGANESE BRONZE QUADRANT |
| 4 FIG. 646-4HEX | PEDESTAL MOUNTING BOLTS |

PANDA 40 (S-1350)