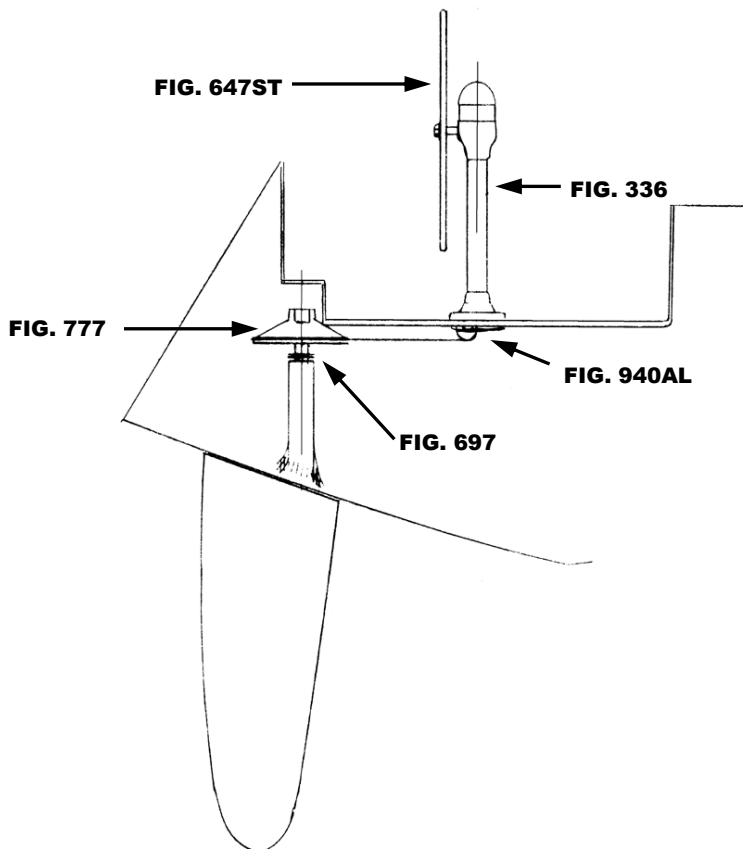




**PEARSON 33 - 2**

**THIS SCHEMATIC IS INTENDED TO PROVIDE AN OUTLINE FOR DESIGNING YOUR SYSTEM. COMPLETE INSTRUCTIONS FOR INSTALLATION CAN BE FOUND IN OUR "PLANNING & INSTALLATION GUIDE", WHICH CAN BE FOUND ON OUR WEBSITE.**

**VISIT US ONLINE AT  
WWW.EDSONMARINE.COM**



**STEERING COMPONENTS:**

- |                          |                                                              |
|--------------------------|--------------------------------------------------------------|
| <b>1 FIG. 336-5-211T</b> | <b>CLASSIC PEDESTAL STEERER/TAPERED</b>                      |
| <b>1 FIG. 647ST-36-5</b> | <b>DISHED DESTROYER WHEEL</b>                                |
| <b>1 FIG. 77103</b>      | <b>CHAIN &amp; WIRE ROPE KIT W/HARDWARE [was 774-2S15B9]</b> |
|                          | <b>(1.5FT #50 CHAIN, 9FT 3/16" 7X19 305 SS WIRE ROPE)</b>    |
| <b>1 FIG. 940AL-28/4</b> | <b>RECESSED CROSSED WIRE IDLER</b>                           |
| <b>1 FIG. 777-8</b>      | <b>RADIAL DRIVE WHEEL</b>                                    |
| <b>4 FIG. 646-4HEX</b>   | <b>PEDESTAL MOUNTING BOLTS</b>                               |
| <b>1 FIG. 697-2.375</b>  | <b>STUFFING BOX/BEARING</b>                                  |

PEARSON 33 - 2 (S-1875)

