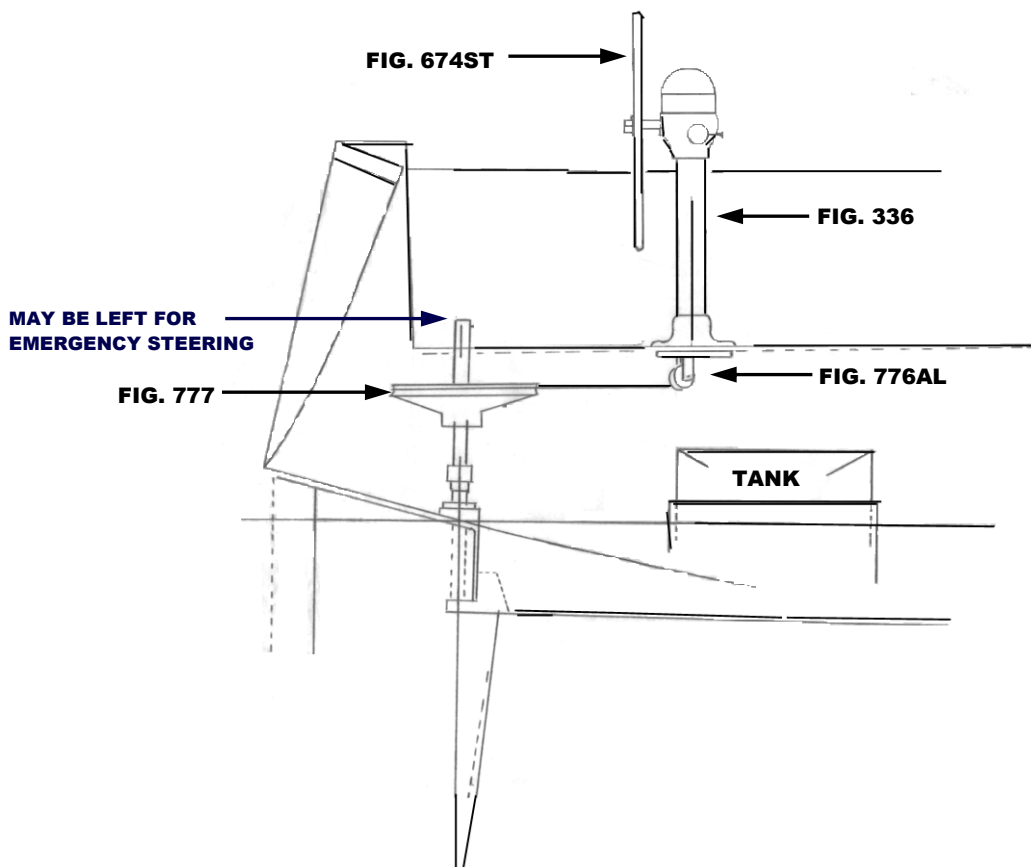




# PEARSON 34

**THIS SCHEMATIC IS INTENDED TO PROVIDE AN OUTLINE FOR DESIGNING YOUR SYSTEM. COMPLETE INSTRUCTIONS FOR INSTALLATION CAN BE FOUND IN OUR "PLANNING & INSTALLATION GUIDE", WHICH CAN BE FOUND ON OUR WEBSITE.**

**VISIT US ONLINE AT  
[WWW.EDSONMARINE.COM](http://WWW.EDSONMARINE.COM)**



**STEERING COMPONENTS:**

- |   |  |
|---|--|
| <p>1 FIG. 336-5-211T<br/>1 FIG. 647ST-28-5<br/>1 FIG. 77103<br/><br/>1 FIG. 776AL-4AL<br/>1 FIG. 777-8<br/>4 FIG. 646-4HEX<br/><br/>(A FIG. 697 STUFFING BOX/BEARING MAY BE REQUIRED)</p> | <p><b>CLASSIC PEDESTAL STEERER/TAPERED<br/>DISHED DESTROYER WHEEL<br/>CHAIN &amp; WIRE ROPE KIT W/HARDWARE <i>[was 774-2S15B9]</i><br/>(1.5FT #50 CHAIN, 9FT 3/16" 7X19 305 SS WIRE ROPE)<br/>ADJUSTABLE CROSSED WIRE IDLER<br/>RADIAL DRIVE WHEEL<br/>PEDESTAL MOUNTING BOLTS</b></p> |
|---|--|

PEARSON 34 (S-1233)

