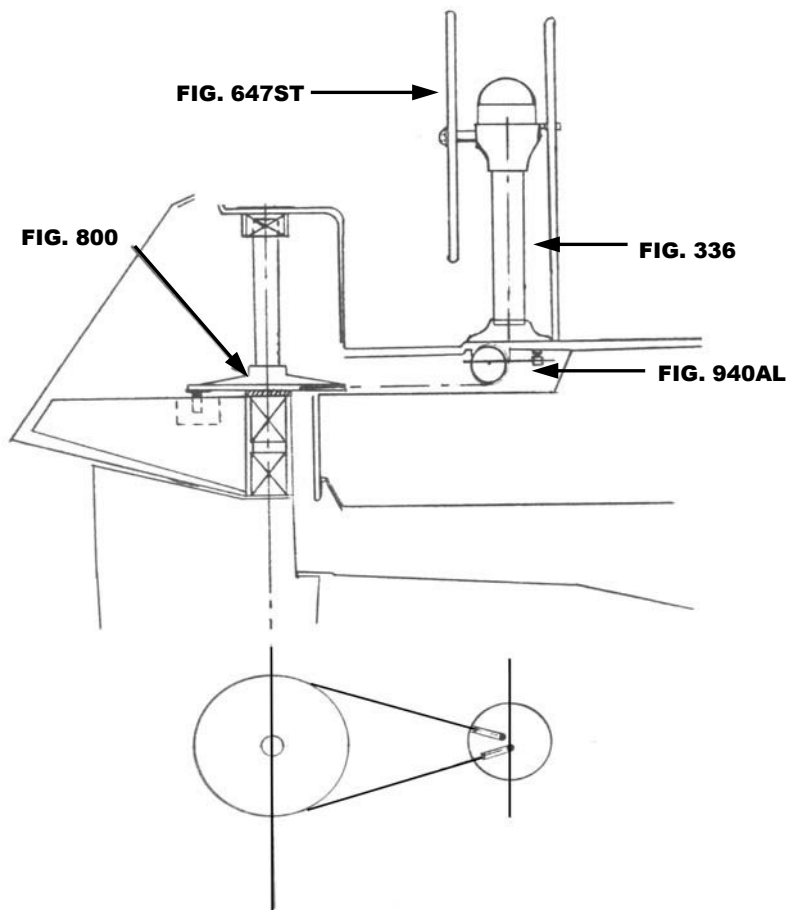




PEARSON 39

THIS SCHEMATIC IS INTENDED TO PROVIDE AN OUTLINE FOR DESIGNING YOUR SYSTEM. COMPLETE INSTRUCTIONS FOR INSTALLATION CAN BE FOUND IN OUR "PLANNING & INSTALLATION GUIDE", WHICH CAN BE FOUND ON OUR WEBSITE.

**VISIT US ONLINE AT
WWW.EDSONMARINE.COM**



STEERING COMPONENTS:

- 1 FIG. 336-5-211T
- 1 FIG. 647ST-40-5
- 1 FIG. 77111

- 1 FIG. 940AL-35/6
- 1 FIG. 800-10
- 4 FIG. 646-4HEX

- CLASSIC PEDESTAL STEERER/TAPERED**
- DISHED DESTROYER WHEEL**
- CHAIN & WIRE ROPE KIT W/HARDWARE** *[was 774-2S2B9]*
- (2FT #50 CHAIN, 9FT 3/16" 7X19 305 SS WIRE ROPE)*
- RECESSED CROSSED WIRE IDLER**
- RADIAL DRIVE WHEEL**
- PEDESTAL MOUNTING BOLTS**

PEARSON 39 (S-1923)

