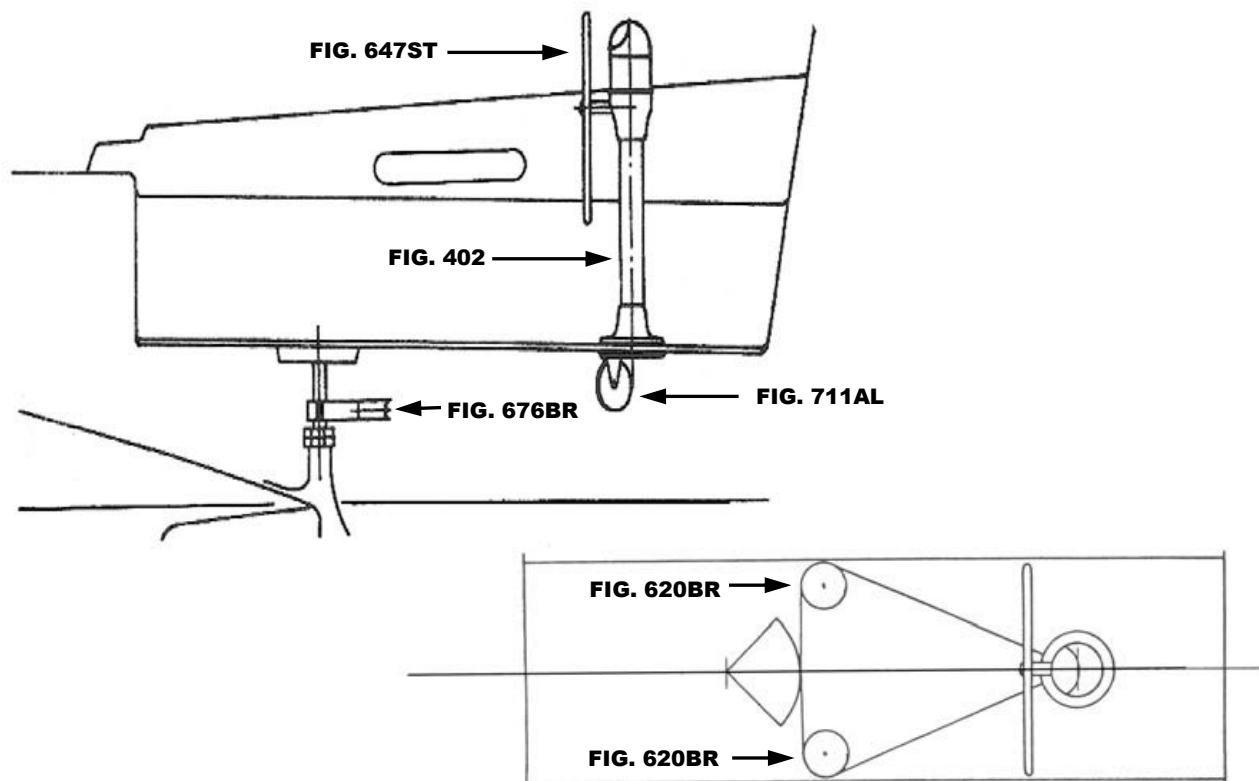


THIS SCHEMATIC IS INTENDED TO PROVIDE AN OUTLINE FOR DESIGNING YOUR SYSTEM. COMPLETE INSTRUCTIONS FOR INSTALLATION CAN BE FOUND IN OUR "PLANNING & INSTALLATION GUIDE", WHICH CAN BE FOUND ON OUR WEBSITE.

VISIT US ONLINE AT
WWW.EDSONMARINE.COM



STEERING COMPONENTS:

1 FIG. 402-6-211T
 1 FIG. 647ST-28-5
 1 FIG. 77103

1 FIG. 711AL-6AL
 2 FIG. 620BR-6AL
 1 FIG. 676BR-10
 4 FIG. 646-4HEX

DELUXE PEDESTAL W/THRU-SHAFT BRAKE/TAPERED
 DISHED DESTROYER WHEEL
 CHAIN & WIRE ROPE KIT W/HARDWARE [was 774-2S15B9]
 (1.5FT #50 CHAIN, 9FT 3/16" 7X19 305 SS WIRE ROPE)
 ADJUSTABLE IDLER
 UPRIGHT SINGLE SHEAVE ASSEMBLY
 MANGANESE BRONZE QUADRANT
 PEDESTAL MOUNTING BOLTS