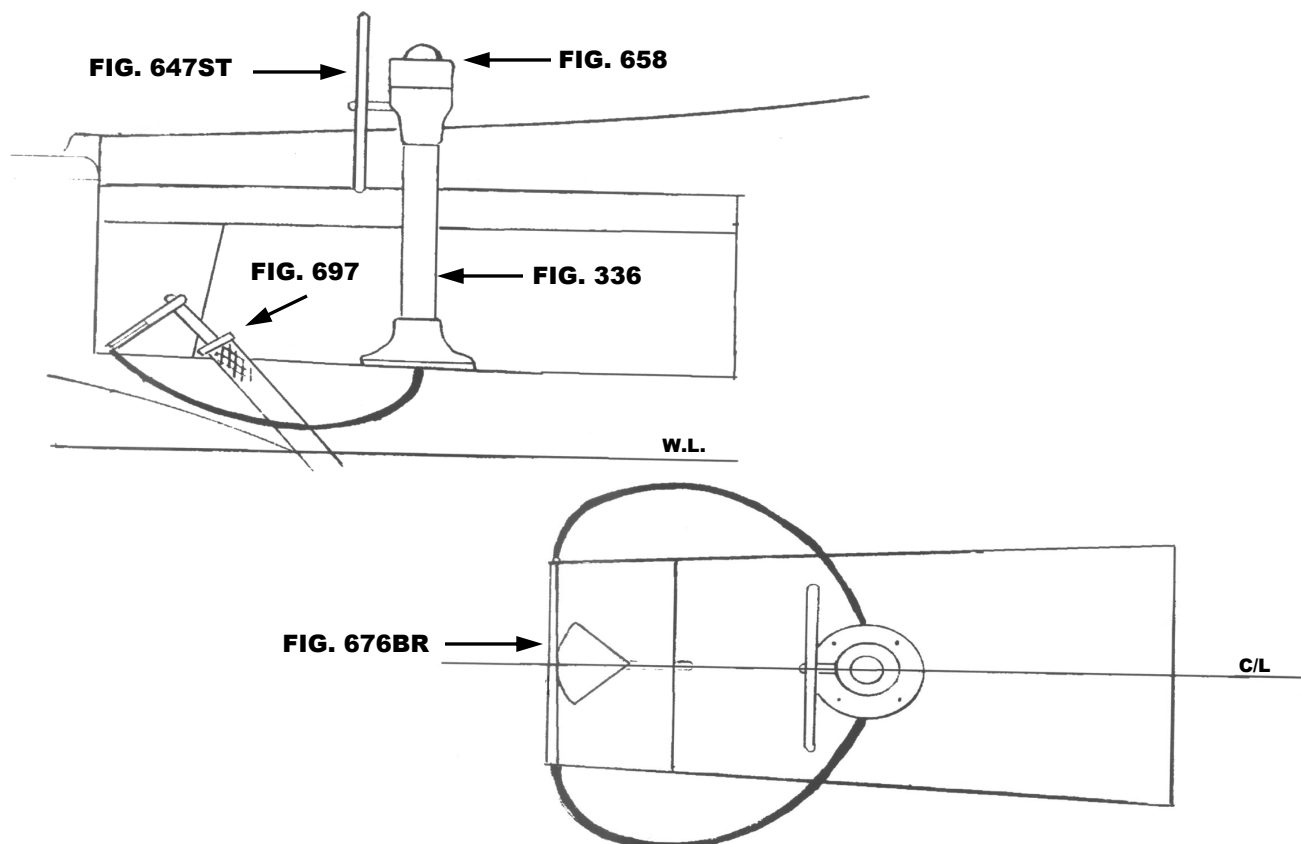




PEARSON TRITON

THIS SCHEMATIC IS INTENDED TO PROVIDE AN OUTLINE FOR DESIGNING YOUR SYSTEM. COMPLETE INSTRUCTIONS FOR INSTALLATION CAN BE FOUND IN OUR "PLANNING & INSTALLATION GUIDE", WHICH CAN BE FOUND ON OUR WEBSITE.

VISIT US ONLINE AT
WWW.EDSONMARINE.COM



STEERING COMPONENTS:

- 1 FIG. 3346-5-211T
- 1 FIG. 647ST-20-5
- 1 FIG. 77105

- 1 FIG. 841-2
- 2 FIG. 797-7

- 1 FIG. 676BR-8
- 4 FIG. 646-4HEX

(A FIG. 697 STUFFING BOX/BEARING MAY BE REQUIRED)

- CLASSIC PEDESTAL STEERER/TAPERED**
- DISHED DESTROYER WHEEL**
- CHAIN & WIRE ROPE KIT W/HARDWARE** *[was 774-2S15B13]*
- (1.5FT #50 CHAIN, 13FT 3/16" 7X19 305 SS WIRE ROPE)*
- DROP CONDUIT BRACKET**
- PULL/PULL CONDUIT W/END FITTINGS**
- MANGANESE BRONZE QUADRANT**
- PEDESTAL MOUNTING BOLTS**

PEARSON TRITON (S-183-6)

