

# Steering Data Sheet

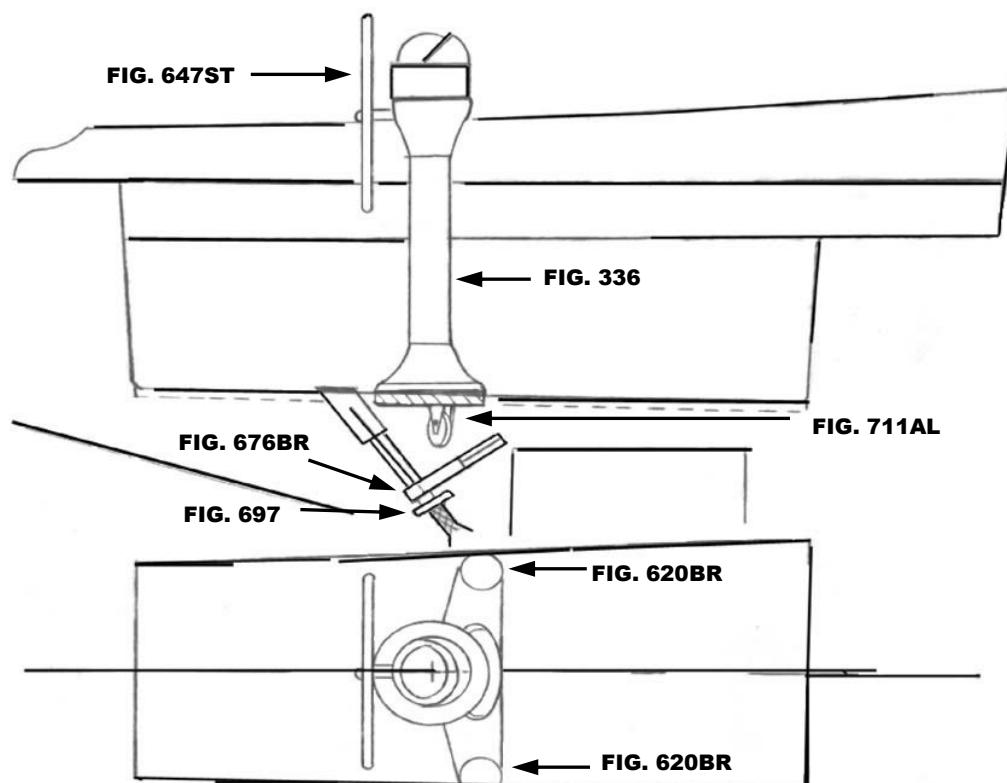


## PEARSON VANGUARD 32' (AFT MOUNTED)

S-176-2

THIS SCHEMATIC IS INTENDED TO PROVIDE AN OUTLINE FOR DESIGNING YOUR SYSTEM. COMPLETE INSTRUCTIONS FOR INSTALLATION CAN BE FOUND IN OUR "PLANNING & INSTALLATION GUIDE", WHICH CAN BE FOUND ON OUR WEBSITE.

VISIT US ONLINE AT  
[WWW.EDSONMARINE.COM](http://WWW.EDSONMARINE.COM)



### STEERING COMPONENTS:

1 FIG. 336-5-211T  
1 FIG. 647ST-22-5  
1 FIG. 77103

1 FIG. 711AL-4AL  
2 FIG. 620BR-4AL  
1 FIG. 676BR-8  
4 FIG. 646-4HEX

(A FIG. 697 STUFFING BOX/BEARING MAY BE REQUIRED)

CLASSIC PEDESTAL STEERER/TAPERED  
DISHED DESTROYER WHEEL  
CHAIN & WIRE ROPE KIT W/HARDWARE [was 774-2S15B9]  
(1.5FT #50 CHAIN, 9FT 3/16" 7X19 305 SS WIRE ROPE)  
ADJUSTABLE IDLER  
UPRIGHT SINGLE SHEAVE ASSEMBLY  
MANGANESE BRONZE QUADRANT  
PEDESTAL MOUNTING BOLTS



146 DUCHAINE BLVD, NEW BEDFORD, MA 02745-1292 Tel: 508-995-9711 Fax: 508-995-5021 FREE FAX: 800-338-5021

PEARSON VANGUARD 32 (AFT) (S-176-2)