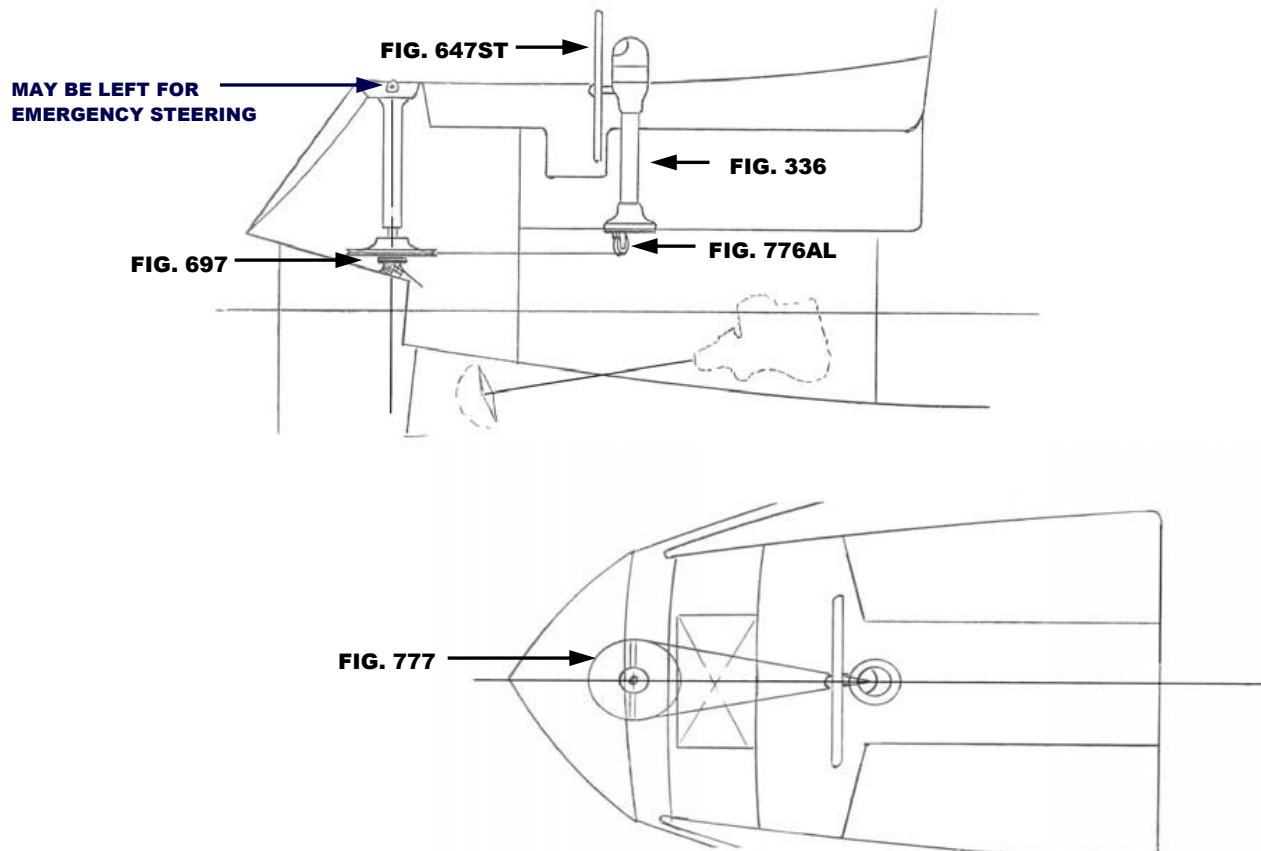




PETERSON 37

THIS SCHEMATIC IS INTENDED TO PROVIDE AN OUTLINE FOR DESIGNING YOUR SYSTEM. COMPLETE INSTRUCTIONS FOR INSTALLATION CAN BE FOUND IN OUR "PLANNING & INSTALLATION GUIDE", WHICH CAN BE FOUND ON OUR WEBSITE.

VISIT US ONLINE AT
WWW.EDSONMARINE.COM



STEERING COMPONENTS:

1 FIG. 336-5-211T

1 FIG. 647ST-36-5

1 FIG. 77111

1 FIG. 776AL-4AL

1 FIG. 800-10

4 FIG. 646-4HEX

(A FIG. 697 STUFFING BOX/BEARING MAY BE REQUIRED)

CLASSIC PEDESTAL STEERER/TAPERED

DISHED DESTROYER WHEEL

CHAIN & WIRE ROPE KIT W/HARDWARE [was 774-2S2B9]
 (2FT #50 CHAIN, 9FT 3/16" 7X19 305 SS WIRE ROPE)

ADJUSTABLE CROSSED WIRE IDLER

RADIAL DRIVE WHEEL

PEDESTAL MOUNTING BOLTS