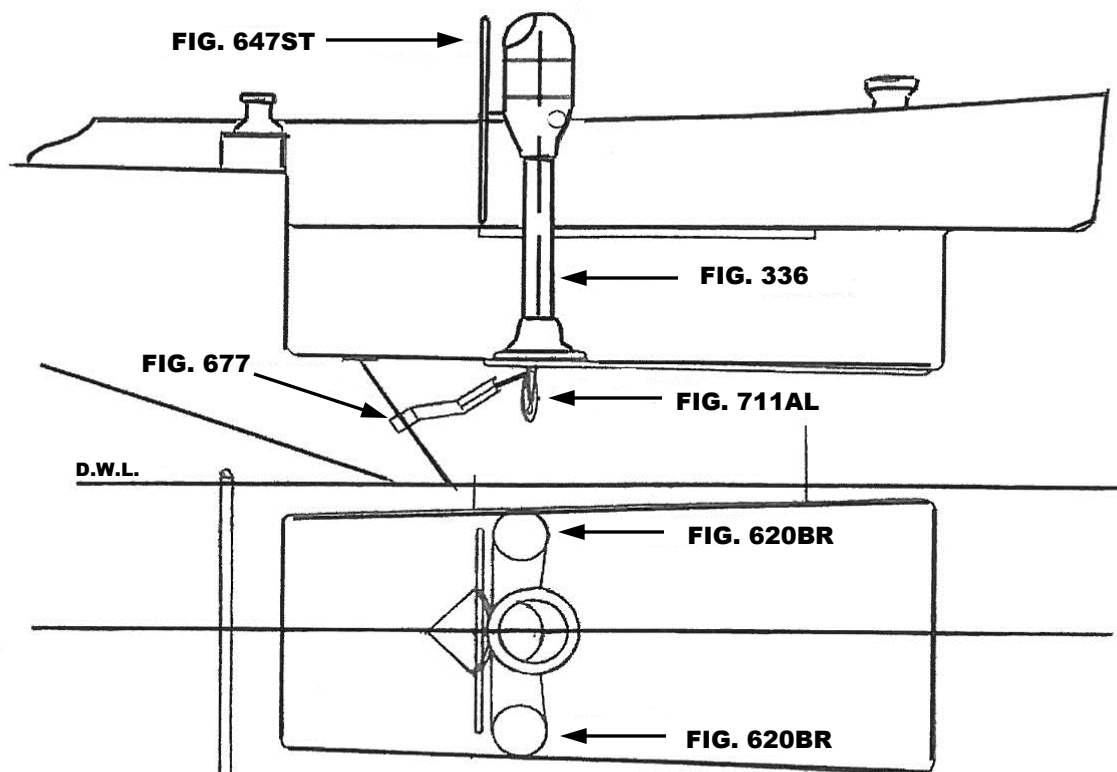


THIS SCHEMATIC IS INTENDED TO PROVIDE AN OUTLINE FOR DESIGNING YOUR SYSTEM. COMPLETE INSTRUCTIONS FOR INSTALLATION CAN BE FOUND IN OUR "PLANNING & INSTALLATION GUIDE", WHICH CAN BE FOUND ON OUR WEBSITE.

VISIT US ONLINE AT
WWW.EDSONMARINE.COM



RHODES 41 (S-174)

STEERING COMPONENTS:

- 1 FIG. 336-5-211T
- 1 FIG. 647ST-24-5
- 1 FIG. 77201

- 1 FIG. 711AL-4AL
- 2 FIG. 620BR-6AL
- 1 FIG. 677-10
- 4 FIG. 646-4HEX

(A FIG. 697 STUFFING BOX/BEARING MAY BE REQUIRED)

- CLASSIC PEDESTAL STEERER/TAPERED
- DISHED DESTROYER WHEEL
- CHAIN & WIRE ROPE KIT W/HARDWARE *[was 774-2B2D9]*
- (2FT #50 CHAIN, 9FT 1/4" 7X19 305 SS WIRE ROPE)*
- ADJUSTABLE IDLER
- UPRIGHT SINGLE SHEAVE ASSY.
- OFFSET QUADRANT
- PEDESTAL MOUNTING BOLTS