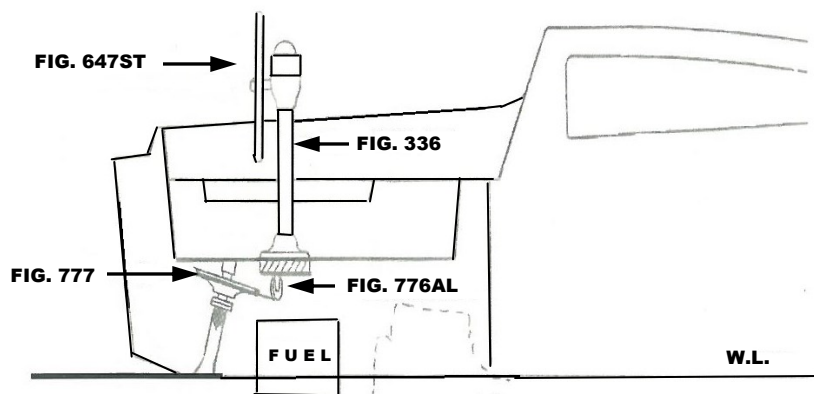


THIS SCHEMATIC IS INTENDED TO PROVIDE AN OUTLINE FOR DESIGNING YOUR SYSTEM. COMPLETE INSTRUCTIONS FOR INSTALLATION CAN BE FOUND IN OUR "PLANNING & INSTALLATION GUIDE", WHICH CAN BE FOUND ON OUR WEBSITE.

VISIT US ONLINE AT
WWW.EDSONMARINE.COM

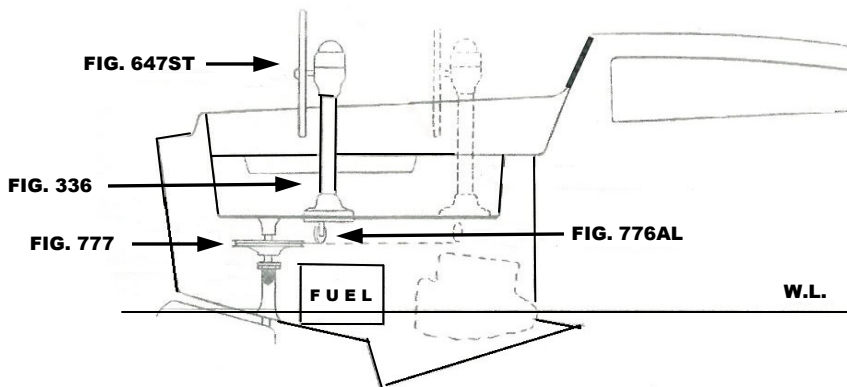
FULL KEEL VERSION



WIRES MUST BE CROSSED WITHIN
PEDESTAL FOR PROPER STEERING
DIRECTION

SHOAL DRAFT VERSION

BLOCK DOWN FOR
ALIGNMENT WITH DRIVE
WHEEL



S 2 8.0 (26') (S-638)

STEERING COMPONENTS:

- 1 FIG. 336-5-211T CLASSIC PEDESTAL STEERER/TAPERED
- 1 FIG. 647ST-22-5 DISHED DESTROYER WHEEL
- 1 FIG. 77103 CHAIN & WIRE ROPE KIT W/HARDWARE [was 774-2S15B9]
- 1 FIG. 776AL-4AL (1.5FT #50 CHAIN, 9FT 3/16" 7X19 305 SS WIRE ROPE)
- 1 FIG. 777-8 ADJUSTABLE CROSSED WIRE IDLER
- 4 FIG 646-4HEX RADIAL DRIVE WHEEL
- PEDESTAL MOUNTING BOLTS
- (A FIG. 697 STUFFING BOX/BEARING MAY BE REQUIRED)