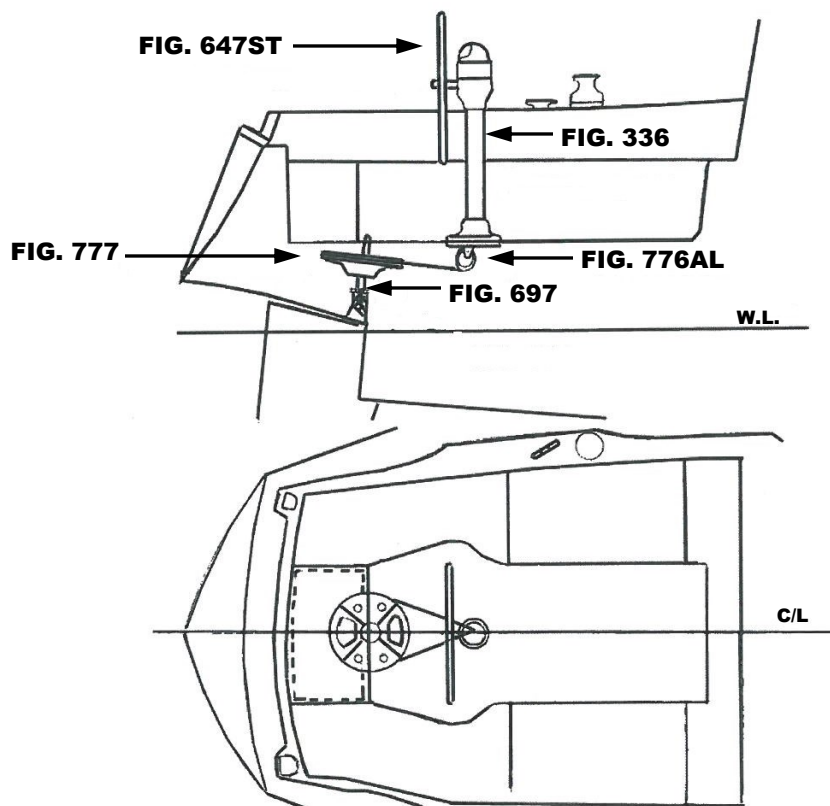


THIS SCHEMATIC IS INTENDED TO PROVIDE AN OUTLINE FOR DESIGNING YOUR SYSTEM. COMPLETE INSTRUCTIONS FOR INSTALLATION CAN BE FOUND IN OUR "PLANNING & INSTALLATION GUIDE", WHICH CAN BE FOUND ON OUR WEBSITE.

**VISIT US ONLINE AT
WWW.EDSONMARINE.COM**



STEERING COMPONENTS:

- 1 FIG. 336-5-211T
- 1 FIG. 647ST-28-5
- 1 FIG. 77103

**CLASSIC PEDESTAL STEERER/TAPERED
DISHED DESTROYER WHEEL**

- 1 FIG. 776AL-4AL
- 1 FIG. 777-8

**CHAIN & WIRE ROPE KIT W/HARDWARE [was 774-2S15B9]
(1.5FT #50 CHAIN, 9FT 3/16" 7X19 305 SS WIRE ROPE)**

- 4 FIG. 646-4HEX

ADJUSTABLE CROSSED WIRE IDLER

RADIAL DRIVE WHEEL

PEDESTAL MOUNTING BOLTS

(A FIG. 697 STUFFING BOX/BEARING MAY BE REQUIRED)