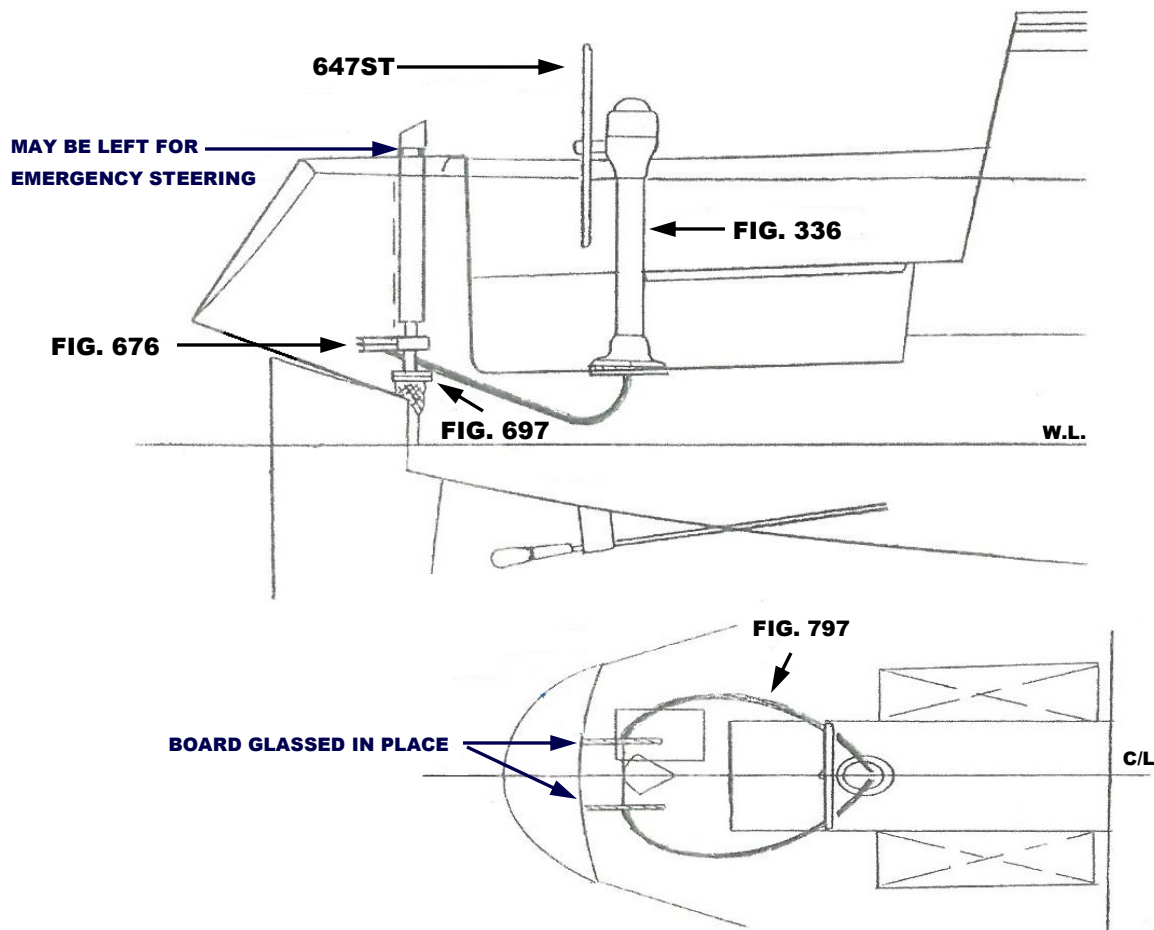


THIS SCHEMATIC IS INTENDED TO PROVIDE AN OUTLINE FOR DESIGNING YOUR SYSTEM. COMPLETE INSTRUCTIONS FOR INSTALLATION CAN BE FOUND IN OUR "PLANNING & INSTALLATION GUIDE", WHICH CAN BE FOUND ON OUR WEBSITE.

**VISIT US ONLINE AT
WWW.EDSONMARINE.COM**



STEERING COMPONENTS:

- | | |
|--|---|
| 1 FIG. 336-5-211T | CLASSIC PEDESTAL STEERER/TAPERED (BLACK) |
| 1 FIG. 647ST-28-5 | DISHED DESTROYER WHEEL |
| 1 FIG. 77105 | CHAIN & WIRE ROPE KIT W/HARDWARE [was 774-2S15B13] |
| | <i>(1.5FT #50 CHAIN, 13FT. 3/16" 7X19 305 SS WIRE ROPE)</i> |
| 2 FIG. 797-6 | PULL/PULL CONDUIT W/END FITTINGS |
| 1 FIG. 868-2 | INTERNAL CONDUIT BRACKET |
| 1 FIG. 676BR-8 | MANGANESE BRONZE QUADRANT |
| 4 FIG. 646-4HEX | PEDESTAL MOUNTING BOLTS |
| (A FIG. 697 STUFFING BOX/BEARING MAY BE REQUIRED) | |