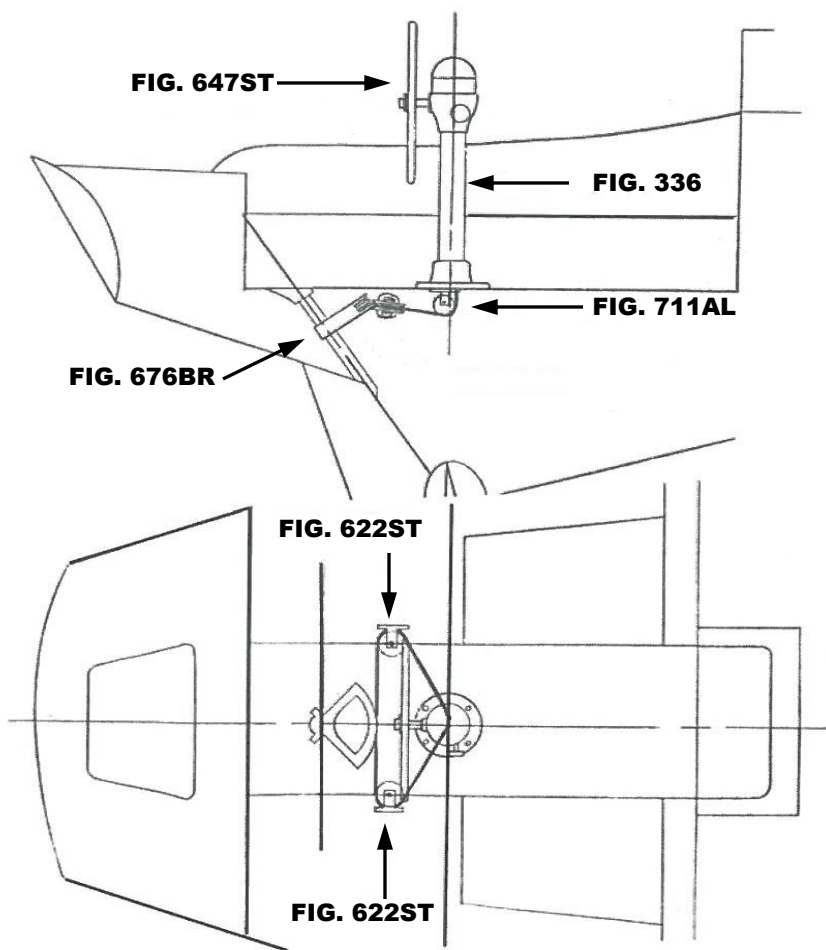


THIS SCHEMATIC IS INTENDED TO PROVIDE AN OUTLINE FOR DESIGNING YOUR SYSTEM. COMPLETE INSTRUCTIONS FOR INSTALLATION CAN BE FOUND IN OUR "PLANNING & INSTALLATION GUIDE", WHICH CAN BE FOUND ON OUR WEBSITE.

VISIT US ONLINE AT
WWW.EDSONMARINE.COM



STEERING COMPONENTS:

- 1 FIG. 336-5-211T
- 1 FIG. 647ST-22-5
- 1 FIG. 77103

- 1 FIG. 711AL-4AL
- 2 FIG. 622ST-4AL
- 1 FIG. 676BR-8
- 4 FIG. 646-4HEX

- CLASSIC PEDESTAL STEERER/TAPERED DISHED DESTROYER WHEEL**
- CHAIN & WIRE ROPE KIT W/HARDWARE** *[was 774-2S15B9]*
- (1.5FT #50 CHAIN, 9FT 3/16" 7X19 305 SS WIRE ROPE)*
- ADJUSTABLE IDLER**
- ARTICULOCK SINGLE SHEAVE ASSY.**
- LARGE BORE QUADRANT**
- PEDESTAL MOUNTING BOLTS**

(A FIG. 697 STUFFING BOX/BEARING MAY BE REQUIRED)