

Steering Data Sheet

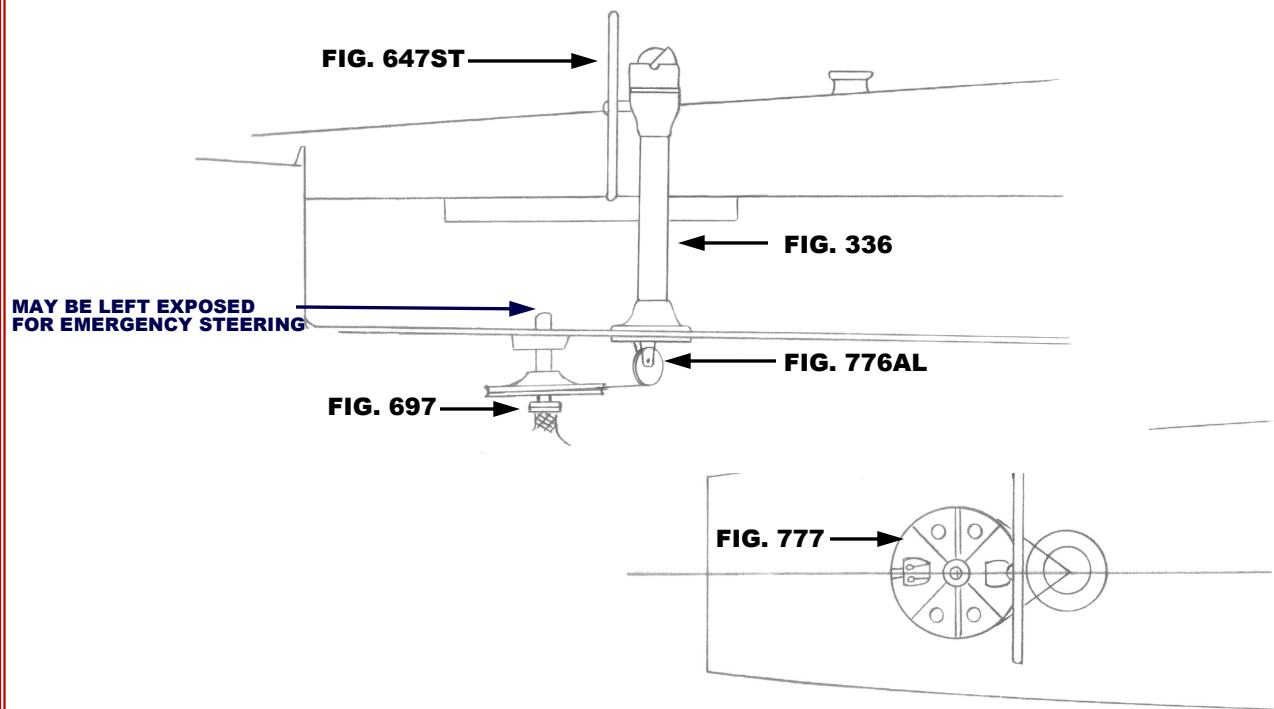


SEAFARER 31 MKII & SEAFARER 34 MKI

S-281-2

THIS SCHEMATIC IS INTENDED TO PROVIDE AN OUTLINE FOR DESIGNING YOUR SYSTEM. COMPLETE INSTRUCTIONS FOR INSTALLATION CAN BE FOUND IN OUR "PLANNING & INSTALLATION GUIDE", WHICH CAN BE FOUND ON OUR WEBSITE.

VISIT US ONLINE AT
WWW.EDSONMARINE.COM



STEERING COMPONENTS:

- 1 FIG. 336-5-211T
- 1 FIG. 647ST-24-5
- 1 FIG. 77103

- 1 FIG. 776AL-4AL
- 1 FIG. 777-8
- 4 FIG. 646-4HEX

- CLASSIC PEDESTAL STEERER/TAPERED
- DISHED DESTROYER WHEEL
- CHAIN & WIRE ROPE KIT W/HARDWARE [*was 774-2S15B9*]
- (1.5FT #50 CHAIN, 9FT 3/16" 7X19 305 SS WIRE ROPE)
- ADJUSTABLE CROSSED WIRE IDLER
- RADIAL DRIVE WHEEL
- PEDESTAL MOUNTING BOLTS

(A FIG. 697 STUFFING BOX/BEARING MAY BE REQUIRED)



146 DUCHAINE BLVD, NEW BEDFORD, MA 02745-1292 Tel: 508-995-9711 Fax: 508-995-5021 FREE FAX: 800-338-5021

SEAFARER 31 MKII & SEAFARER 34 MKI (S-281-2)