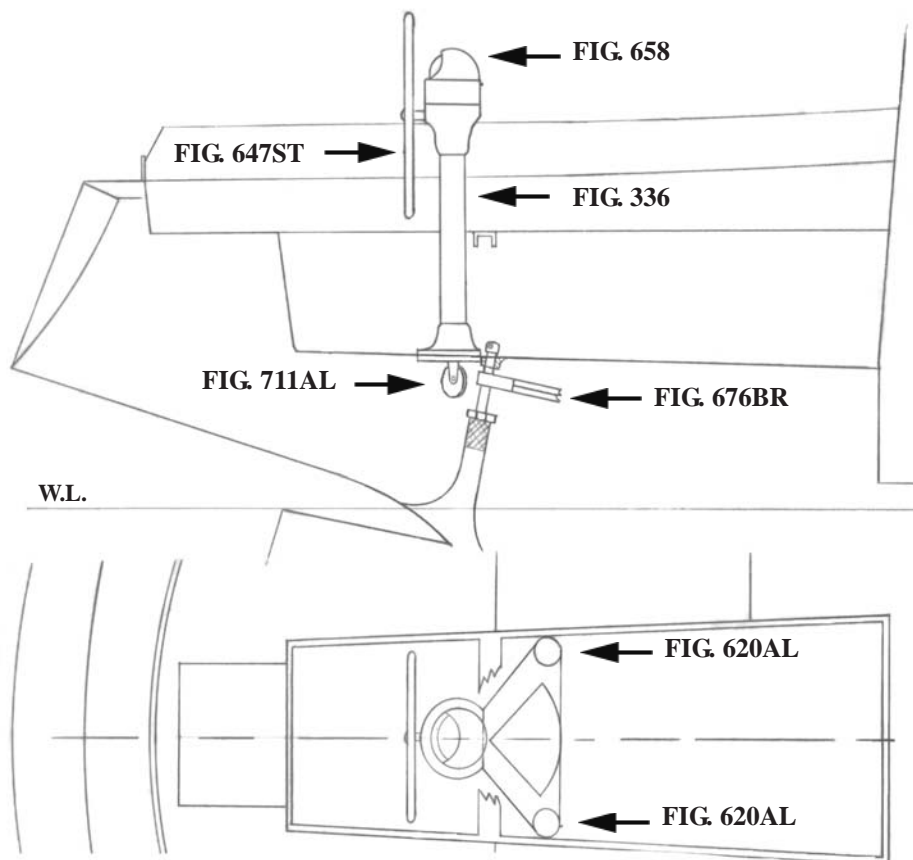




SEAFARER 34

THIS SCHEMATIC IS INTENDED TO PROVIDE AN OUTLINE FOR DESIGNING YOUR SYSTEM. COMPLETE INSTRUCTIONS FOR INSTALLATION CAN BE FOUND IN OUR "PLANNING & INSTALLATION GUIDE", AVAILABLE BY REQUEST.



VISIT US ONLINE AT
WWW.EDSONMARINE.COM

1 FIG. 336-5-211T
 1 FIG. 647ST-24-5
 1 FIG. 77111
 1 FIG. 711AL-4AL
 2 FIG. 620BR-4AL
 1 FIG. 676BR-10
 4 FIG. 646-4HEX

CLASSIC PEDESTAL STEERER/TAPERED
 DISHED DESTROYER WHEEL
 CHAIN & WIRE ROPE ASSY W/HARDWARE
 ADJUSTABLE IDLER
 UPRIGHT SINGLE SHEAVE
 RADIAL DRIVE WHEEL
 PEDESTAL MOUNTING BOLTS