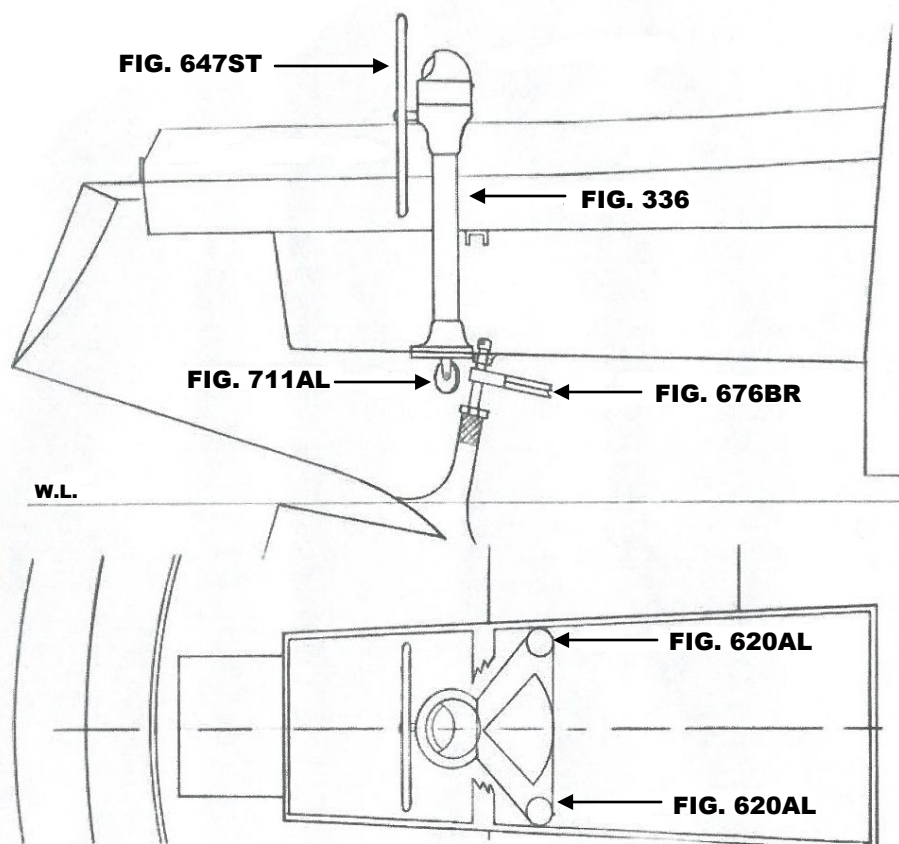


**THIS SCHEMATIC IS INTENDED TO PROVIDE AN OUTLINE FOR DESIGNING YOUR SYSTEM. COMPLETE INSTRUCTIONS FOR INSTALLATION CAN BE FOUND IN OUR "PLANNING & INSTALLATION GUIDE", WHICH CAN BE FOUND ON OUR WEBSITE.**

**VISIT US ONLINE AT  
WWW.EDSONMARINE.COM**



**STEERING COMPONENTS:**

- 1 FIG. 336-5-211T
- 1 FIG. 647ST-24-5
- 1 FIG. 77111

- 1 FIG. 711AL-4AL
- 2 FIG. 620BR-4AL
- 1 FIG. 676BR-10
- 4 FIG. 646-4HEX

- CLASSIC PEDESTAL STEERER/TAPERED DISHED DESTROYER WHEEL**
- CHAIN & WIRE ROPE KIT W/HARDWARE** *[was 774-2S2B9]*  
*(2FT #50 CHAIN, 9FT 3/16" 7X19 305 SS WIRE ROPE)*
- ADJUSTABLE WIRE IDLER**
- UPRIGHT SINGLE SHEAVE ASSY.**
- MANGANESE BRONZE QUADRANT**
- PEDESTAL MOUNTING BOLTS**

**(A FIG. 697 STUFFING BOX/BEARING MAY BE REQUIRED)**