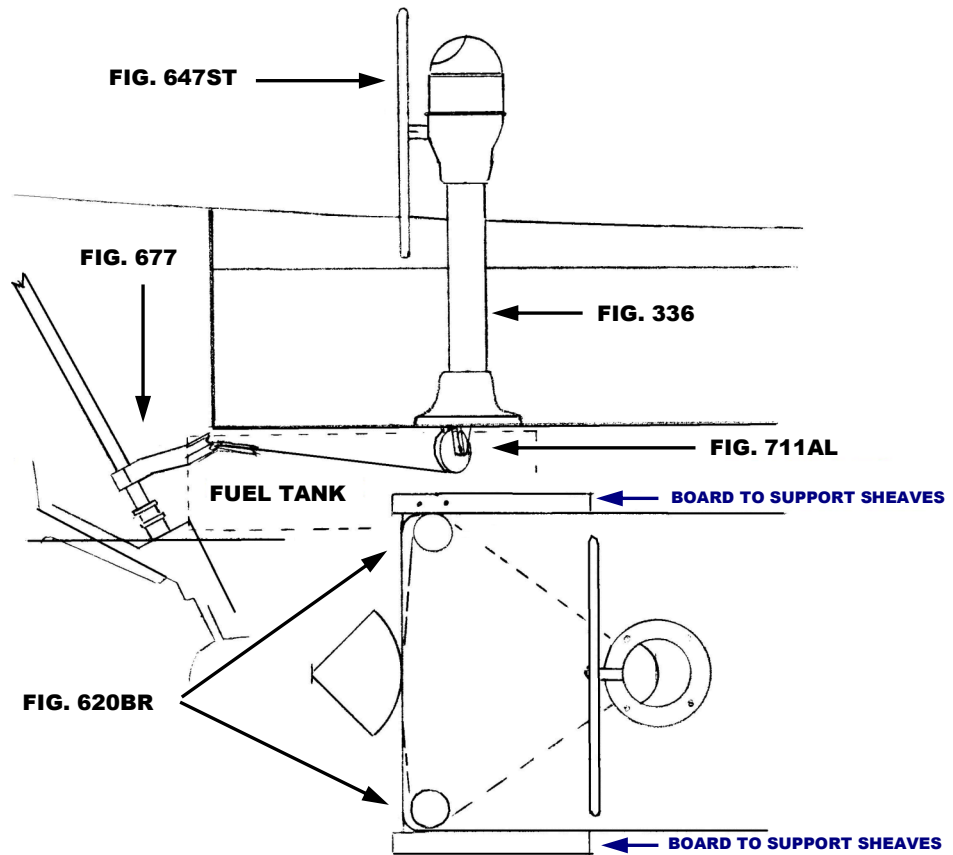




SEAWIND 32 MK II

THIS SCHEMATIC IS INTENDED TO PROVIDE AN OUTLINE FOR DESIGNING YOUR SYSTEM. COMPLETE INSTRUCTIONS FOR INSTALLATION CAN BE FOUND IN OUR "PLANNING & INSTALLATION GUIDE", WHICH CAN BE FOUND ON OUR WEBSITE.

**VISIT US ONLINE AT
WWW.EDSONMARINE.COM**



NOTE: FUEL TANK MUST BE RELOCATED FOR PEDESTAL STEERER.

SEAWIND 32 MK II (S-817-1)

STEERING COMPONENTS:

- | | |
|-------------------|--|
| 1 FIG. 336-5-211T | CLASSIC PEDESTAL STEERER/TAPERED |
| 1 FIG. 647ST-20-5 | DISHED DESTROYER WHEEL |
| 1 FIG. 77103 | CHAIN & WIRE ROPE KIT W/HARDWARE [was 774-2S15B9] |
| | <i>(1.5FT #50 CHAIN, 9FT 3/16" 7X19 305 SS WIRE ROPE)</i> |
| 1 FIG. 711AL-4AL | ADJUSTABLE IDLER |
| 2 FIG. 620BR-4AL | UPRIGHT SINGLE SHEAVE ASSEMBLY |
| 1 FIG. 677-8 | OFFSET QUADRANT |
| 4 FIG. 646-4HEX | PEDESTAL MOUNTING BOLTS |

