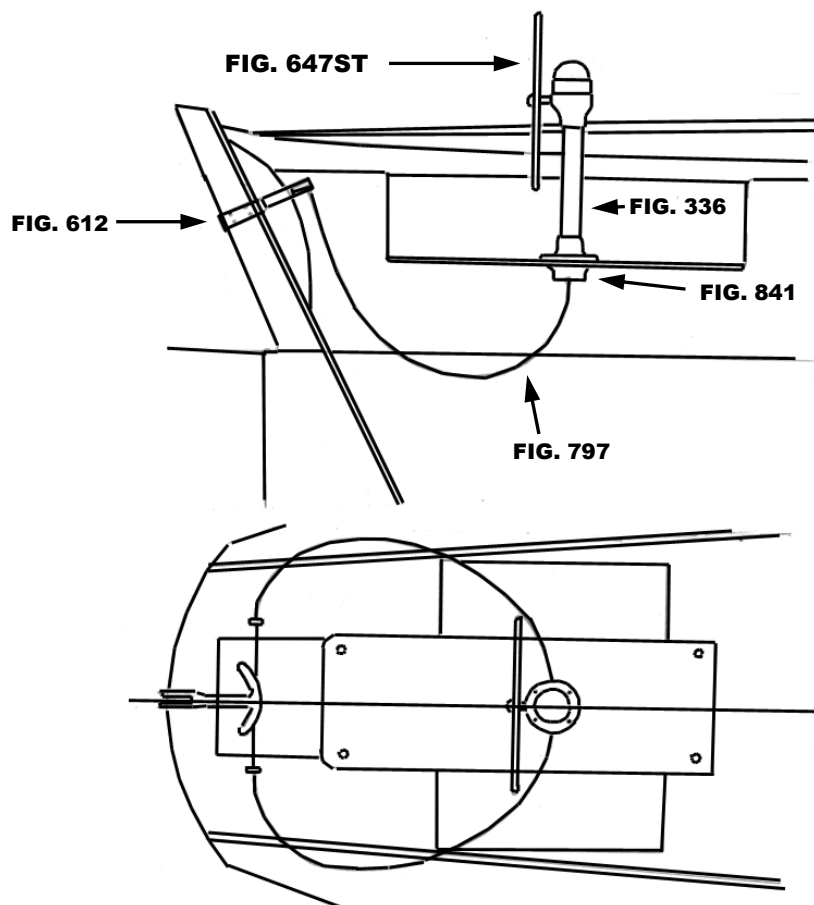




SHANNON 28

THIS SCHEMATIC IS INTENDED TO PROVIDE AN OUTLINE FOR DESIGNING YOUR SYSTEM. COMPLETE INSTRUCTIONS FOR INSTALLATION CAN BE FOUND IN OUR "PLANNING & INSTALLATION GUIDE", WHICH CAN BE FOUND ON OUR WEBSITE.

**VISIT US ONLINE AT
WWW.EDSONMARINE.COM**



STEERING COMPONENTS:

1 FIG. 336-5-211T
1 FIG. 647ST-20-5
1 FIG. 77105

1 FIG. 841-2
2 FIG. 797-6
1 FIG. 612-10-175
4 FIG. 646-4HEX

**CLASSIC PEDESTAL STEERER/TAPERED
DISHED DESTROYER WHEEL
CHAIN & WIRE ROPE KIT W/HARDWARE [was 774-2S15B13]
(1.5FT #50 CHAIN, 13FT 3/16" 7X19 305 SS WIRE ROPE)
DROP CONDUIT BRACKET
PULL/PULL CONDUIT W/END FITTING
OUTBOARD RUDDER QUADRANT
PEDESTAL MOUNTING BOLTS**