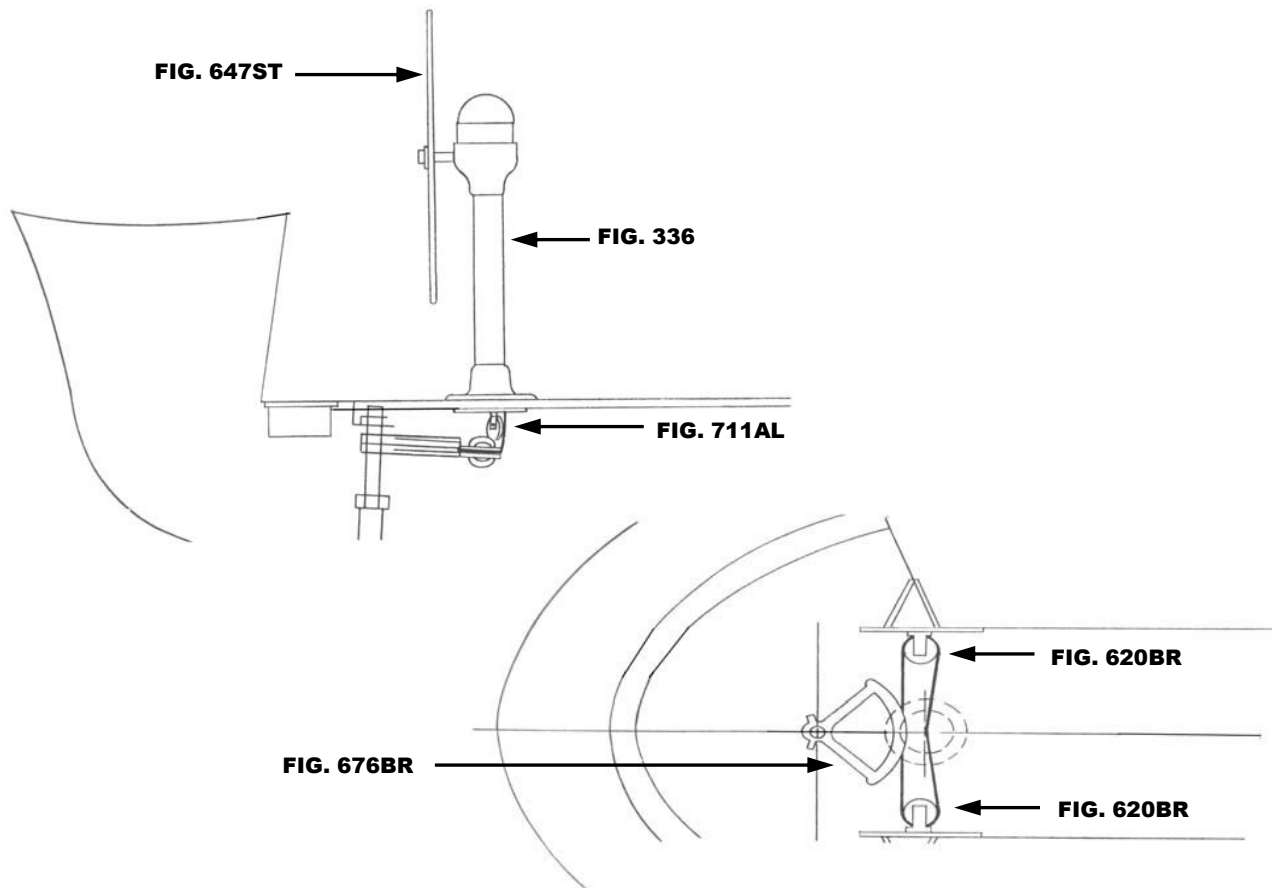




# SOUTHERN CROSS 35

**THIS SCHEMATIC IS INTENDED TO PROVIDE AN OUTLINE FOR DESIGNING YOUR SYSTEM. COMPLETE INSTRUCTIONS FOR INSTALLATION CAN BE FOUND IN OUR "PLANNING & INSTALLATION GUIDE", WHICH CAN BE FOUND ON OUR WEBSITE.**

VISIT US ONLINE AT  
[WWW.EDSONMARINE.COM](http://WWW.EDSONMARINE.COM)



**STEERING COMPONENTS:**

- |  |   |
|--|---|
| 1 FIG. 336-5-211T  | <b>CLASSIC PEDESTAL STEERER/TAPERED</b>                     |
| 1 FIG. 647ST-36-5  | <b>DISHED DESTROYER WHEEL</b>                               |
| 1 FIG. 77109   | <b>CHAIN &amp; WIRE ROPE KIT W/HARDWARE (was 775-2S2B7)</b> |
|  | <i>(2FT #50 CHAIN, 7FT 3/16" 7X19 305 SS WIRE ROPE)</i>     |
| 1 FIG. 711AL-4AL   | <b>ADJUSTABLE IDLER</b>                                     |
| 2 FIG. 620BR-4AL   | <b>UPRIGHT SINGLE SHEAVE ASSY.</b>                          |
| 1 FIG. 676BR-10  | <b>MANGANESE BRONZE QUADRANT</b>                            |
| 4 FIG. 646-4HEX  | <b>PEDESTAL MOUNTING BOLTS</b>                              |
| <b>(A FIG. 697 STUFFING BOX/BEARING MAY BE REQUIRED)</b> |   |

SOUTHERN CROSS 35 (S-1333)

