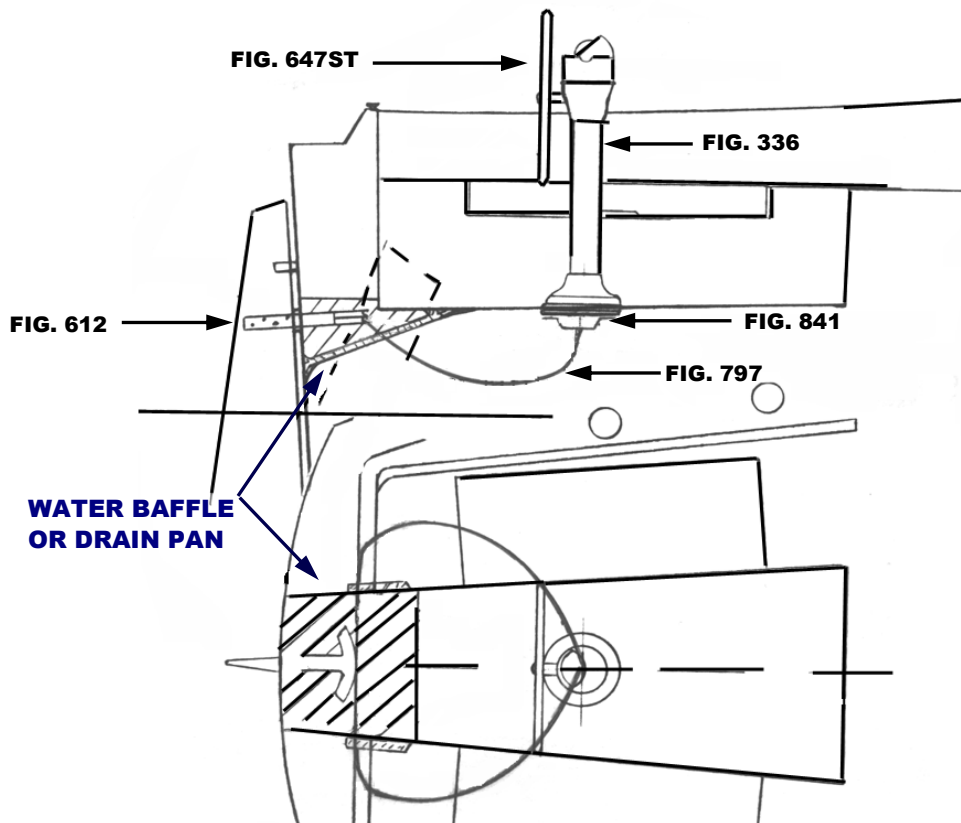




# TANZER 28 (8.5)

**THIS SCHEMATIC IS INTENDED TO PROVIDE AN OUTLINE FOR DESIGNING YOUR SYSTEM. COMPLETE INSTRUCTIONS FOR INSTALLATION CAN BE FOUND IN OUR "PLANNING & INSTALLATION GUIDE", WHICH CAN BE FOUND ON OUR WEBSITE.**

**VISIT US ONLINE AT  
WWW.EDSONMARINE.COM**



**STEERING COMPONENTS:**

- |  |   |
|--|---|
| 1 FIG. 336-5-211T  | <b>CLASSIC PEDESTAL STEERER/TAPERED</b>                             |
| 1 FIG. 647ST-26-5  | <b>DISHED DESTROYER WHEEL</b>                                       |
| 1 FIG. 77113   | <b>CHAIN &amp; WIRE ROPE KIT W/HARDWARE</b> <i>[was 774-2S2B13]</i> |
|  | <i>(2FT #50 CHAIN, 13FT 3/16" 7X19 305 SS WIRE ROPE)</i>            |
| 1 FIG. 841-2   | <b>DROP CONDUIT MOUNTING PLATE</b>                                  |
| 2 FIG. 797-6   | <b>PULL/PULL CONDUIT W/END FITTINGS</b>                             |
| 1 FIG. 612-10-275  | <b>OUTBOARD RUDDER QUADRANT</b>                                     |
| 4 FIG. 646-4HEX  | <b>PEDESTAL MOUNTING BOLTS</b>                                      |
| <b>(A FIG. 697 STUFFING BOX/BEARING MAY BE REQUIRED)</b> |   |

TANZER 28 (8.5) (S-414-1)

