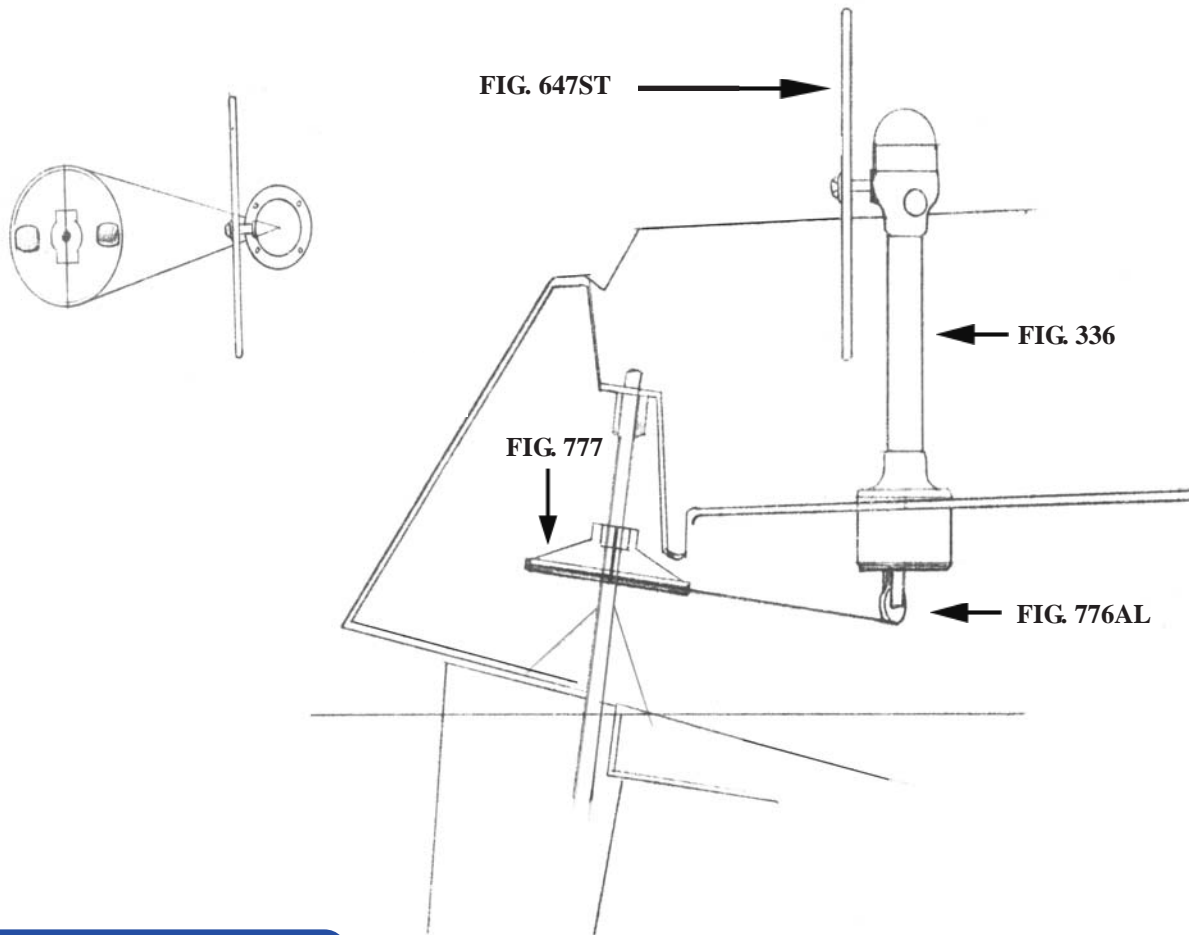




## TARTAN 3000

**THIS SCHEMATIC IS INTENDED TO PROVIDE AN OUTLINE FOR DESIGNING YOUR SYSTEM. COMPLETE INSTRUCTIONS FOR INSTALLATION CAN BE FOUND IN OUR "PLANNING & INSTALLATION GUIDE", WHICH IS AVAILABLE ONLINE.**



TARTAN 3000 (S-1166)

VISIT US ONLINE AT  
[WWW.EDSONMARINE.COM](http://WWW.EDSONMARINE.COM)

- 1 FIG. 336-5-211T
- 1 FIG. 647ST-30-5
- 1 FIG. 77103
- 1 FIG. 776AL-4AL
- 1 FIG. 777-8
- 4 FIG. 646-4HEX

- CLASSIC PEDESTAL STEERER/TAPERED
- DISHED DESTROYER WHEEL
- CHAIN & WIRE ROPE ASSY. W/HARDWARE
- ADJUSTABLE CROSSED WIRE IDLER
- RADIAL DRIVE WHEEL
- PEDESTAL MOUNTING BOLTS

