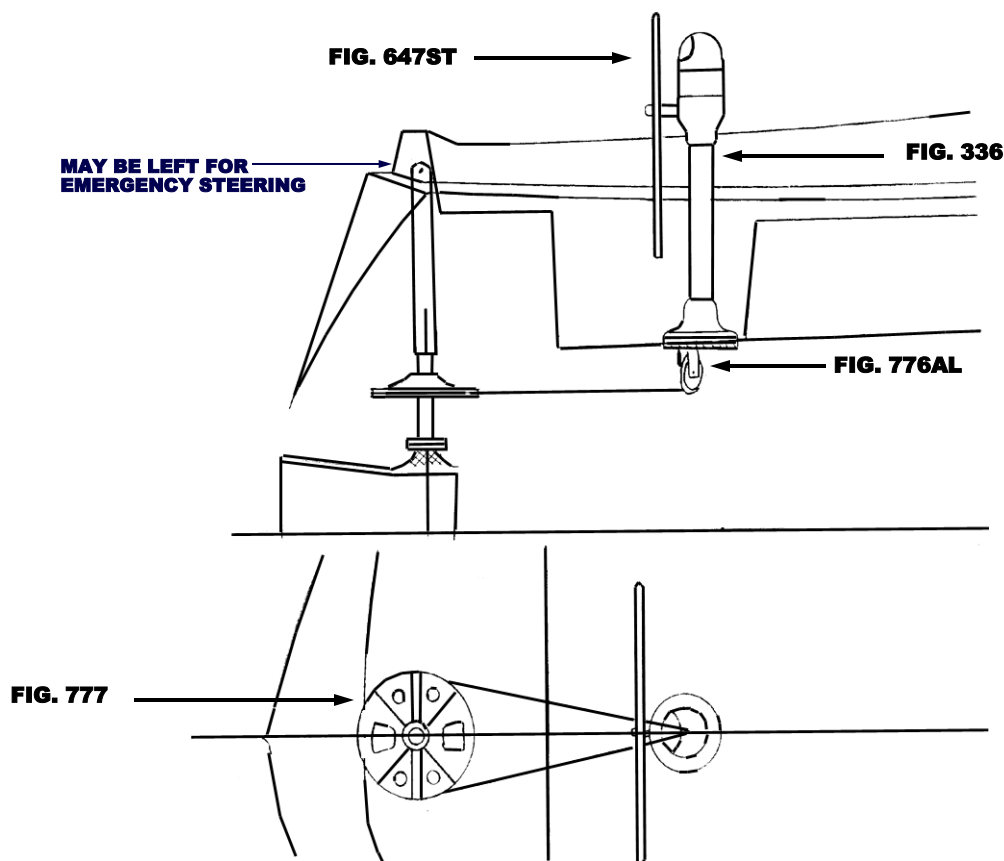


THIS SCHEMATIC IS INTENDED TO PROVIDE AN OUTLINE FOR DESIGNING YOUR SYSTEM. COMPLETE INSTRUCTIONS FOR INSTALLATION CAN BE FOUND IN OUR "PLANNING & INSTALLATION GUIDE", WHICH CAN BE FOUND ON OUR WEBSITE.

**VISIT US ONLINE AT
WWW.EDSONMARINE.COM**



STEERING COMPONENTS:

1 FIG. 336-5-211T
1 FIG. 647ST-36-5
1 FIG. 77201

1 FIG. 776AL-4AL
1 FIG. 800-10

4 FIG. 646-4HEX

(A FIG. 697 STUFFING BOX/BEARING MAY BE REQUIRED)

**CLASSIC PEDESTAL STEERER/TAPERED
DISHED DESTROYER WHEEL
CHAIN & WIRE ROPE KIT W/HARDWARE** *{was 774-2B2D9}*
(2FT #50 CHAIN, 9FT 1/4" 7X19 305 SS WIRE ROPE)

ADJUSTABLE CROSSED WIRE IDLER

RADIAL DRIVE WHEEL

PEDESTAL MOUNTING BOLTS