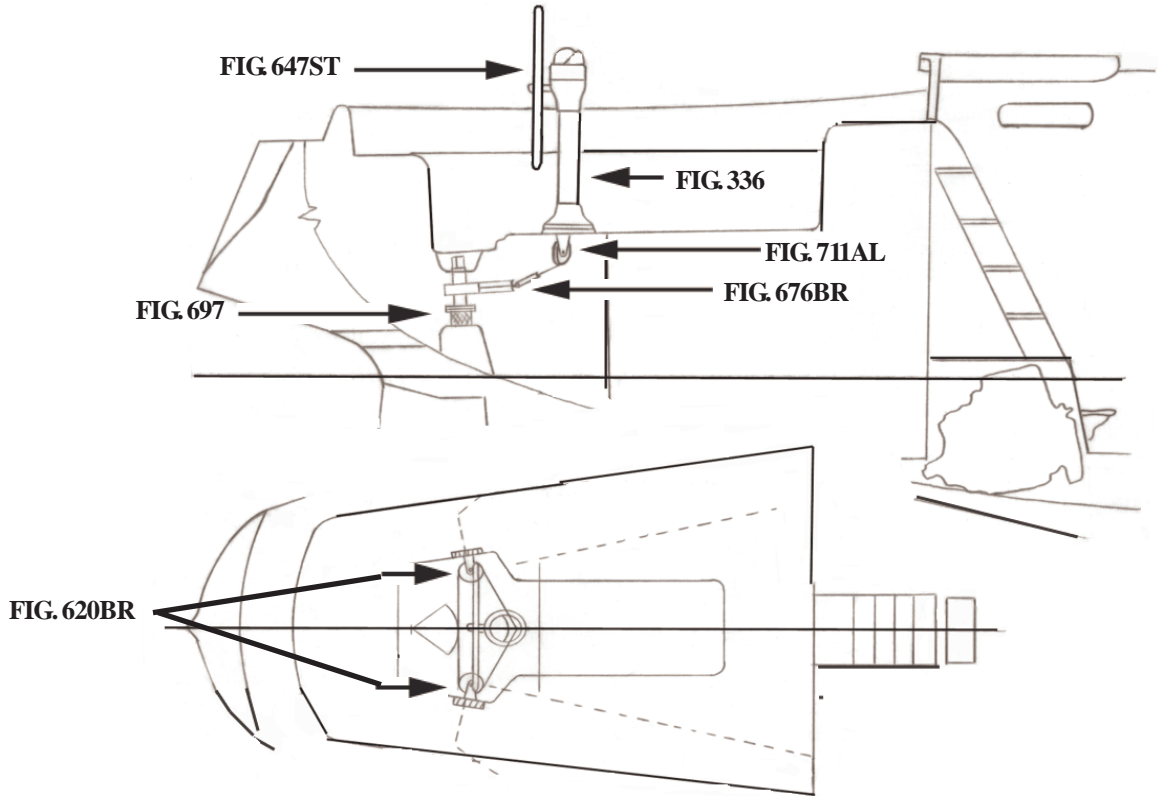




TARTAN 41

THIS SCHEMATIC IS INTENDED TO PROVIDE AN OUTLINE FOR DESIGNING YOUR SYSTEM. COMPLETE INSTRUCTIONS FOR INSTALLATION CAN BE FOUND IN OUR "PLANNING & INSTALLATION GUIDE", WHICH CAN BE FOUND ONLINE.



VISIT US ONLINE AT
WWW.EDSONMARINE.COM

- 1 FIG. 336-5-211T
- 1 FIG. 647ST-32-5
- 1 FIG. 77201
- 1 FIG. 77AL-4AL
- 2 FIG. 620BR-6BR
- 1 FIG. 676BR-10
- 4 FIG. 646-4HEX

- CLASSIC PEDESTAL STEERER/TAPERED
- DISHED DESTROYER WHEEL
- CHAIN & WIRE ROPE ASSY. W/HARDWARE
- ADJUSTABLE IDLER
- UPRIGHT SINGLE SHEAVE ASSY
- MANGANESE BRONZE QUADRANT
- PEDESTAL MOUNTING BOLTS

(A FIG. 697 STUFFING BOX/BEARING MAY BE REQUIRED)

