

# Steering Data Sheet

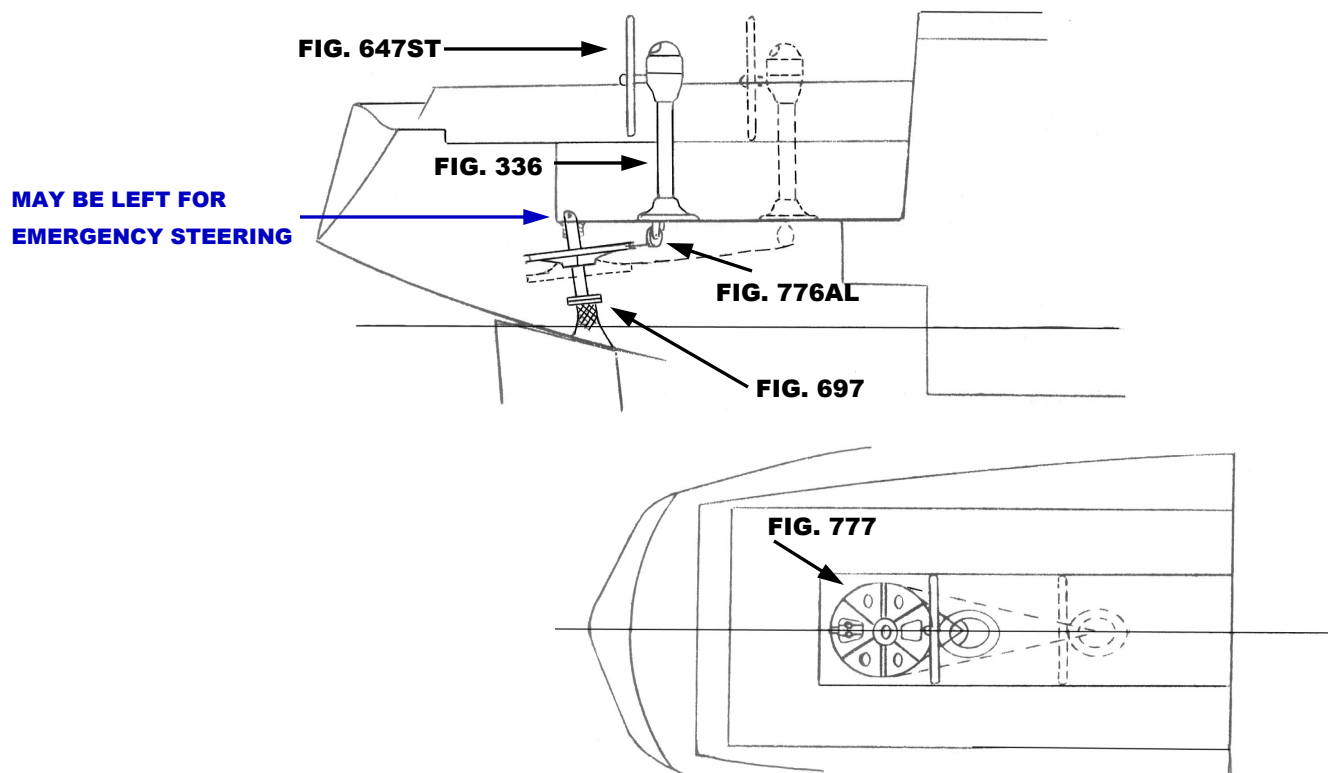


## TYPICAL RADIAL DRIVE (36 TO 40 FT. RANGE)

S-716

THIS SCHEMATIC IS INTENDED TO PROVIDE AN OUTLINE FOR DESIGNING YOUR SYSTEM. COMPLETE INSTRUCTIONS FOR INSTALLATION CAN BE FOUND IN OUR "PLANNING & INSTALLATION GUIDE", WHICH CAN BE FOUND ON OUR WEBSITE.

VISIT US ONLINE AT  
[WWW.EDSONMARINE.COM](http://WWW.EDSONMARINE.COM)



### STEERING COMPONENTS:

1 FIG. 336-5-211T  
1 FIG. 674ST-28-5  
1 FIG. 77111

1 FIG. 776AL-4AL  
1 FIG. 777-10  
4 FIG. 646-4HEX

CLASSIC PEDESTAL STEERER/TAPERED  
DISHED DESTROYER WHEEL  
CHAIN & WIRE ROPE KIT W/HARDWARE [was 774-2S2B9]  
(2FT #50 CHAIN, 9FT 3/16" 7X19 305 SS WIRE ROPE)  
ADJUSTABLE CROSSED WIRE IDLER  
RADIAL DRIVE WHEEL  
PEDESTAL MOUNTING BOLTS

(A FIG. 697 STUFFING BOX/BEARING MAY BE REQUIRED)

