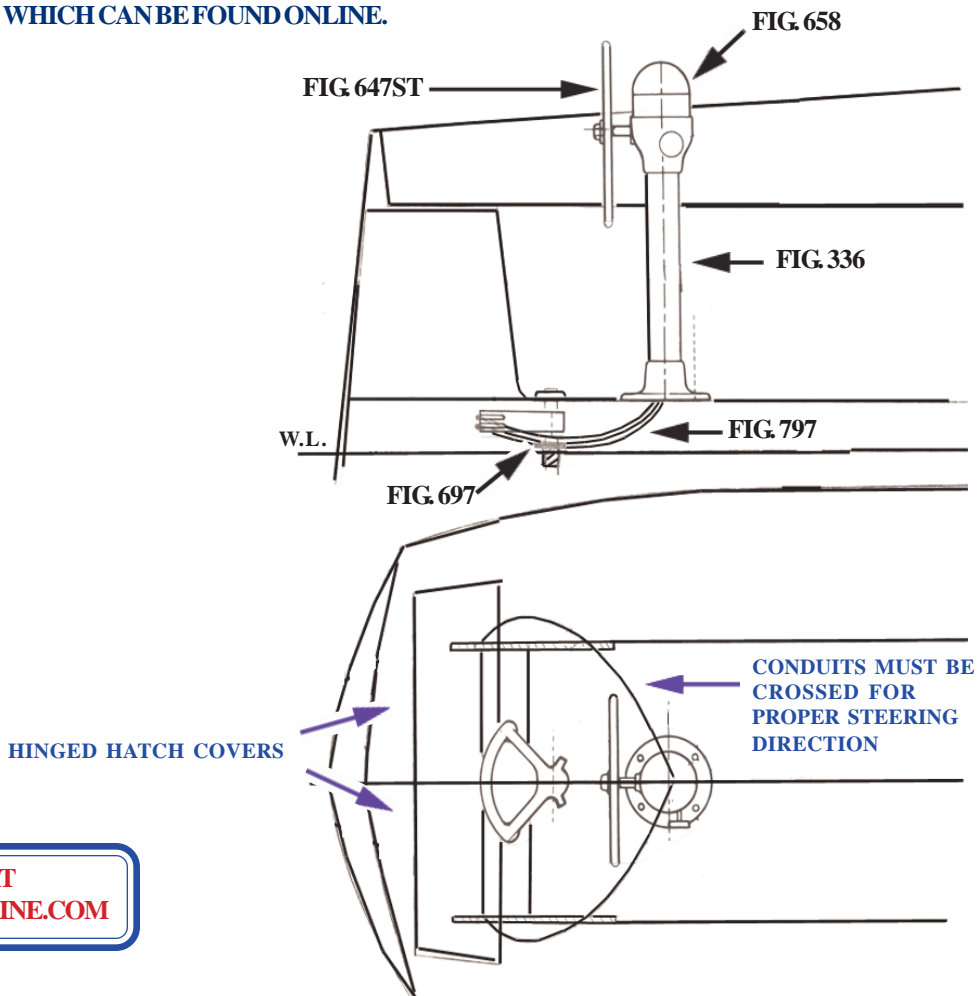




WESTERLY CENTAUR

26

THIS SCHEMATIC IS INTENDED TO PROVIDE AN OUTLINE FOR DESIGNING YOUR SYSTEM. COMPLETE INSTRUCTIONS FOR INSTALLATION CAN BE FOUND IN OUR "PLANNING & INSTALLATION GUIDE", WHICH CAN BE FOUND ONLINE.



VISIT US ONLINE AT
WWW.EDSONMARINE.COM

- 1 FIG. 336-5-211T
- 1 FIG. 647ST-22-5
- 1 FIG. 77103
- 1 FIG. 868-2
- 2 FIG. 797-5
- 1 FIG. 676BR-8
- 4 FIG. 646-4HEX
- (A FIG. 697 STUFFING BOX/BEARING MAY BE REQUIRED)

- CLASSIC PEDESTAL STEERER/TAPERED
- DISHED DESTROYER WHEEL
- CHAIN & WIRE ROPE W/HARDWARE
- INTERNAL CONDUIT BRACKET
- PULL/PULL CONDUIT W/END FITTINGS
- LARGE BORE QUADRANT
- PEDESTAL MOUNTING OBLTS

