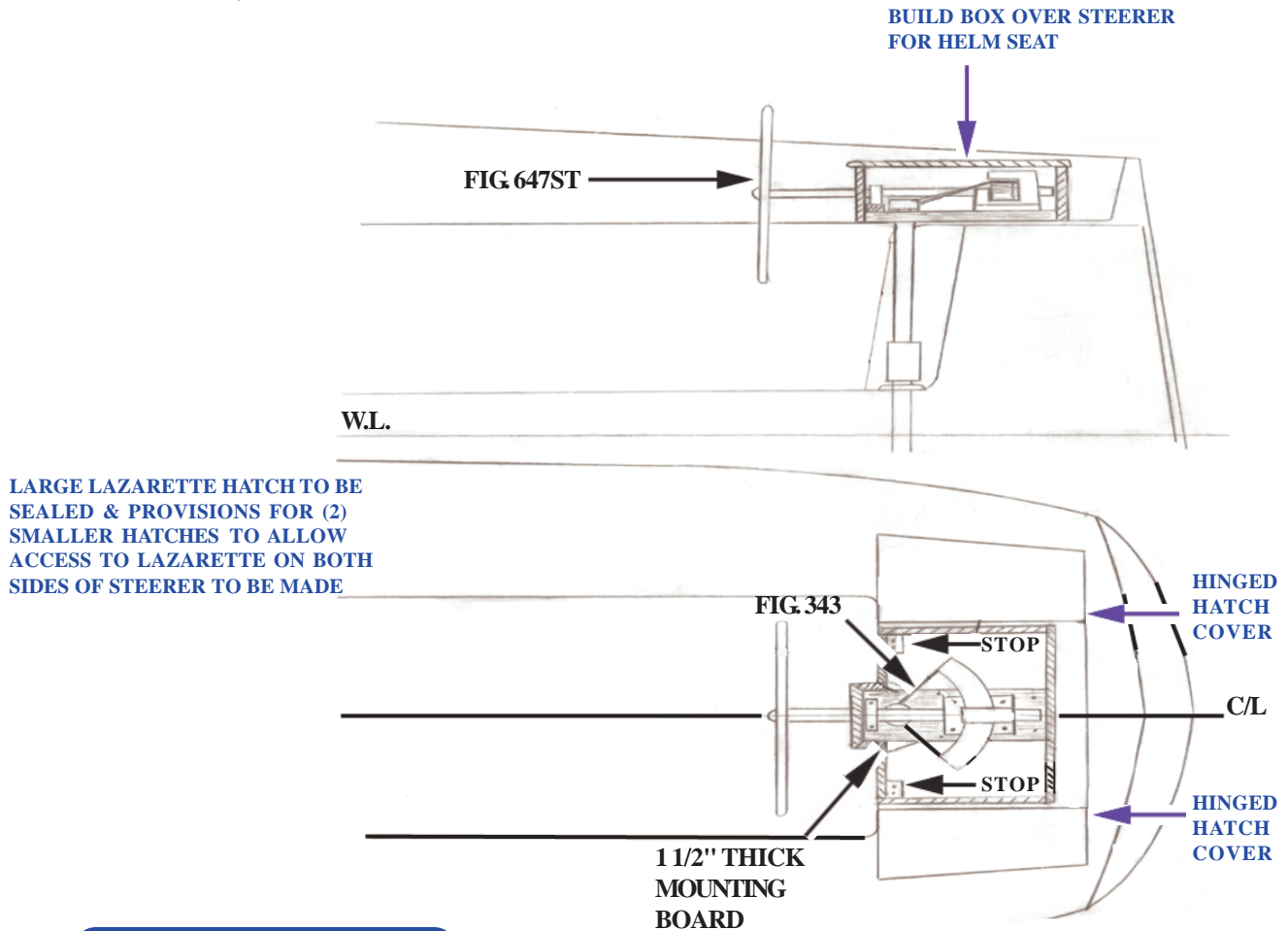




THIS SCHEMATIC IS INTENDED TO PROVIDE AN OUTLINE FOR DESIGNING YOUR SYSTEM. COMPLETE INSTRUCTIONS FOR INSTALLATION CAN BE FOUND IN OUR "PLANNING & INSTALLATION GUIDE", WHICH CAN BE FOUND ONLINE.



LARGE LAZARETTE HATCH TO BE SEALED & PROVISIONS FOR (2) SMALLER HATCHES TO ALLOW ACCESS TO LAZARETTE ON BOTH SIDES OF STEERER TO BE MADE

VISIT US ONLINE AT
WWW.EDSONMARINE.COM

- | | |
|-------------------|---------------------------------|
| 1 FIG. 343-1 | AFT MOUNT RACK & PINION STEERER |
| 1 FIG. 647ST-20-5 | DISHED DESTROYER WHEEL |
| 1 FIG. 675-1.875 | SHAFT COUPLING |
| 1 FIG. 782-175 | 20" SHAFT EXTENSION |

