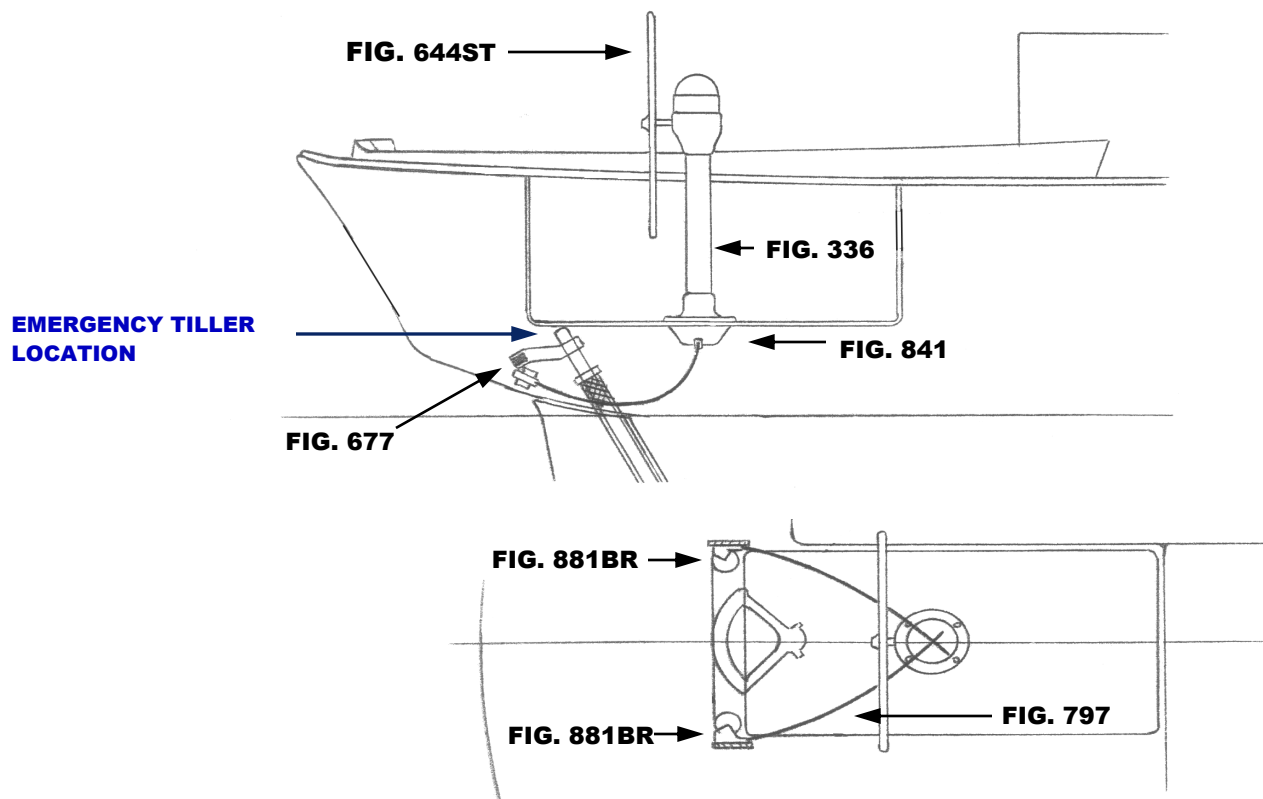


This schematic is intended to provide an outline for designing your system. Complete instructions for installation can be found in our "PLANNING & INSTALLATION GUIDE", which can be found online.

VISIT US ONLINE AT
WWW.EDSONMARINE.COM



STEERING COMPONENTS:

- | | |
|--|---|
| 1 FIG. 336-5-211T | CLASSIC PEDESTAL STEERER/TAPERED |
| 1 FIG. 647ST-28-5 | DISHED DESTROYER WHEEL |
| 1 FIG. 77111 | CHAIN & WIRE ROPE KIT W/HARDWARE [was 774-2S2B9] |
| | <i>(2FT #50 CHAIN, 9FT 3/16" 7X19 305 SS WIRE ROPE)</i> |
| 1 FIG. 841-2 | DROP CONDUIT BRACKET |
| 2 FIG. 881BR-4AL | UPRIGHT IDLER |
| 2 FIG. 797-4 | PULL/PULL CONDUIT W/END FITTINGS |
| 1 FIG. 677-8 | OFFSET QUADRANT |
| 4 FIG. 646-4HEX | PEDESTAL MOUNTING BOLTS |
| (A FIG. 697 STUFFING BOX/BEARING MAY BE REQUIRED) | |

WHISTLER 32 (S-1992)