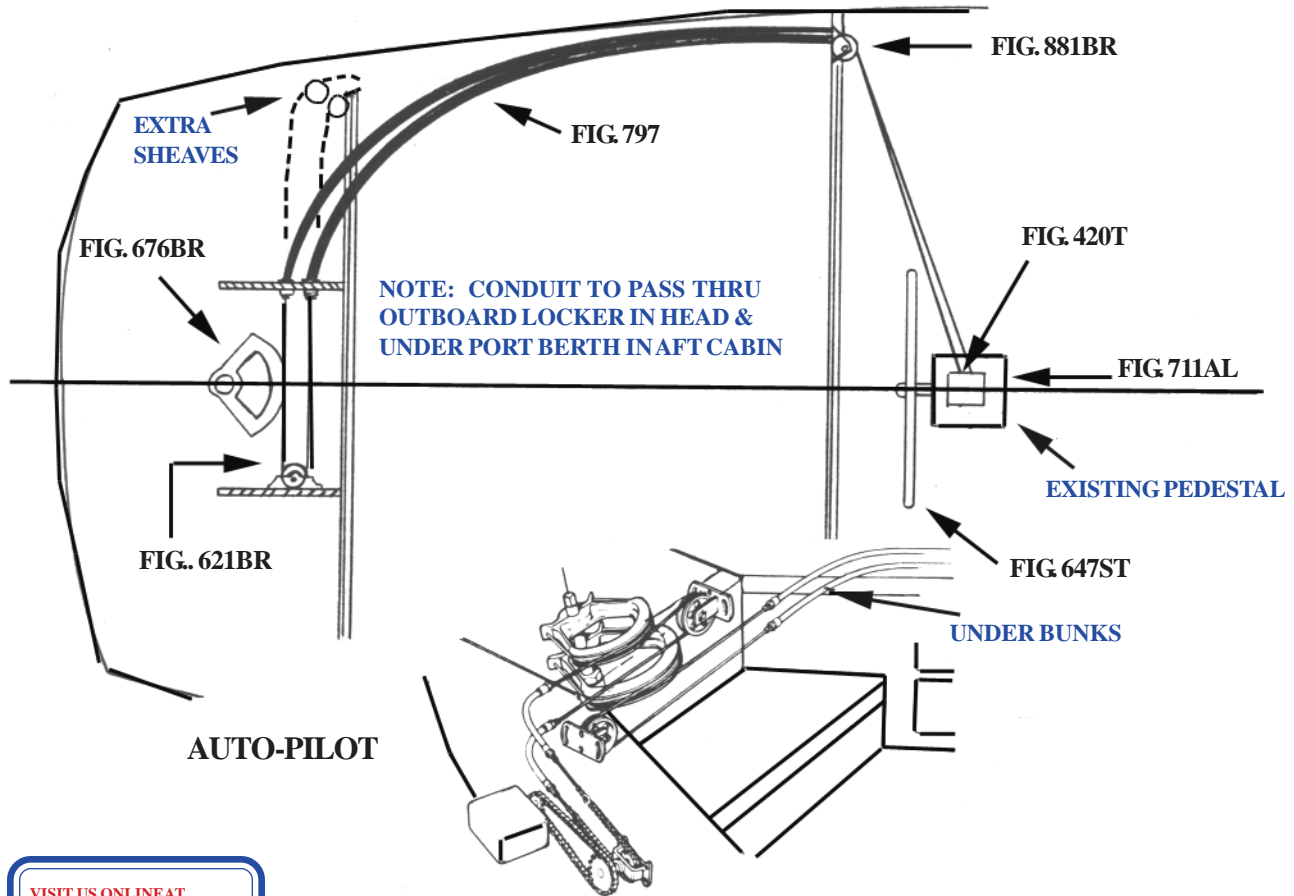




WHITBY 42

THIS SCHEMATIC IS INTENDED TO PROVIDE AN OUTLINE FOR DESIGNING YOUR SYSTEM. COMPLETE INSTRUCTIONS FOR INSTALLATION CAN BE FOUND IN OUR "PLANNING & INSTALLATION GUIDE", AVAILABLE BY REQUEST.



VISIT US ONLINE AT
WWW.EDSONMARINE.COM

- 1 FIG. 420-2-11T
- 1 FIG. 647ST-32-5
- 1 FIG. 77205
- 1 FIG. 711AL-4AL
- 2 FIG. 881BR-6AL
- 1 FIG. 621BR-6AL
- 2 FIG. 797-16
- 1 FIG. 676BR-12

- BULKHEAD STEERER - TAPERED
- DISHED DESTROYER WHEEL
- CHAIN & WIRE ROPE ASSY. W/HARDWARE
- ADJUSTABLE IDLER
- UPRIGHT CONDUIT IDLER
- FLAT SINGLE SHEAVE ASSY
- PULL/PULL CONDUIT W/END FITTINGS
- LARGE BORE QUADRANT

